

► Read and follow these safety instructions first and take notice of the operating instructions.

## Safety instructions

1. The installation, initial operation and maintenance may be done by a qualified expert with electrical know-how only.
2. Comply with the local and statutory rules and regulations and/or the VDE 0100.
3. Take notice of the temperature specifications at the data plate.
4. A fuse (with max. 4A) has to be connected upstream in series to the signal contact.
5. Protect the signal contact from voltage peaks when inductive loads are connected.
6. The device may put into operation if it is closed, only.
7. Switch off the power supply, before opening the device. (touch dangerous voltage)
8. Attention safety device! Don't modify anything at the device or at the switching point adjusting!

## Operating instructions

### 1. Description

#### 1.1 Intended use

The pressure detector controls as limit switch the overpressure in silos and vessels.

#### 1.2 Function

If the pressure reaches the switching point **SP**, the pressure detector will give a signal.

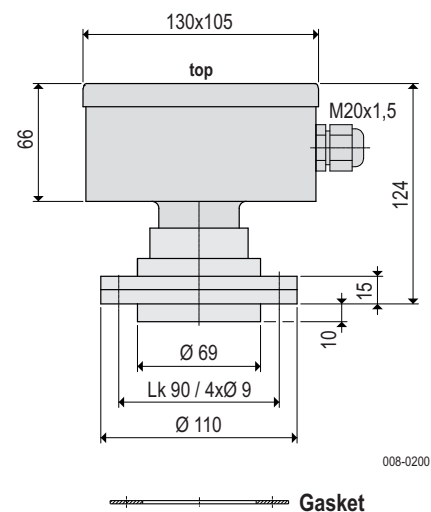
#### 1.3 Technical data

Manufacturer	<b>MOLLET</b> Füllstandtechnik GmbH
Address	Industriepark RIO 103 74706 Osterburken
Name	Silo pressure detector
Type	<b>MSD-070</b>
Bulk good temperature $T_s$	-25 °C ... +80 °C
Ambient temperature $T_a$	-20 °C ... +70 °C
Signal contact	change-over contact, potentialfree
Capacity of the contact	<b>Contact</b> 4 A / 250 V AC
Switching voltage	24 V ... 250 V AC or 12 V ... 125 V DC
Switching point	<b>SP</b> 40 mbar = 0.04 bar = 400 mm WS
Overpressure safety	up to 0.5 bar
Cable connection	Screw M4
Cable entry	Cable gland M20x1.5
Type of protection	<b>IP</b> IP65 acc. to DIN EN 60529
Weight	1.1 kg
Maintenance	none
Mounting position	vertical, $\pm 5^\circ$ inclination

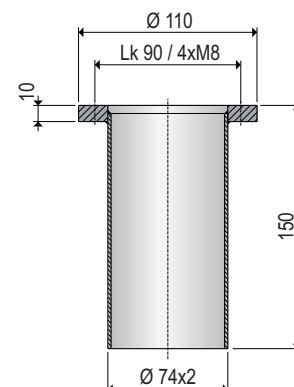
#### 1.4 Material

Housing	ABS (high impact plastic), grey
Flange	Aluminium
	as option Stainless steel 1.4571 / 316 Ti
Membrane	Stainless steel 1.4301 / 304
Flange socket	Steel

### 1.5 Dimensions



### 1.6 Accessory (Option) Flange socket



## 2. Installation

### 2.1 Preparation

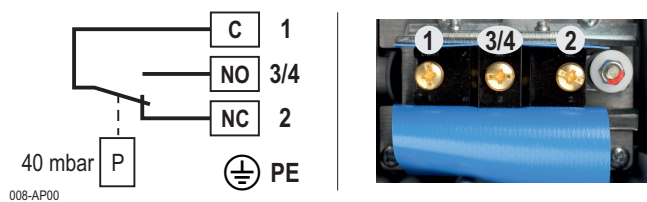
- Check the membrane of visual transport damage.
- Read and follow the safety instructions and the operating instructions, before handling with the device !

### 2.2 Mounting in the vessel

- Weld the flange socket (as a option) vertical (Flange is horizontal) in the silo top.
- Position the pressure detector (Flange is horizontal) with the gasket at the provided flange or flange socket and fix it with 4 washers and screws M8.

### 2.3 Electrical connection

Circuit diagram

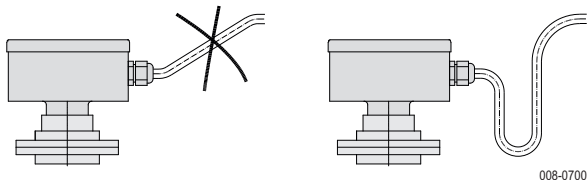


### 2.4 Cable gland

- After electrical connection, tighten the cable gland.
- Screw the cap nut, until the cable entry is closed tightly.

### 2.5 Cable run

Run the connection cable in a way that no traction can occur at the pressure detector.



### 2.6 Switching point

- The switching point is adjusted at 40 mbar.
- A modification may be carried out by the manufacturer only.

## 3. Utilization

### 3.1 Commissioning

- Put the pressure detector into operation only, if the installation in the silo or vessel and the electrical connection have been done correctly.

### 3.2 Normal operation

- Use the pressure detector in its intended application only.
- Comply with the specifications on the data plate.
- Damaged devices have to put out of operation immediately.
- The pressure detector must not be modified. If there is any modification, the warranty of the manufacturer will be, cancelled.

### 3.3 Inexpert handling

- Ignoring of the safety instructions and the operating instructions.
- Not intended use.
- Modification at the device or of the switching point adjusting.
- Violation against applicable law and standards.

## 4. Maintenance and servicing

### 4.1 Maintenance

- In case of intended use, the silo pressure detector needs no maintenance.

### 4.2 Servicing

- The servicing of the pressure detector may be carried out by the manufacturer only.

## 5. Storage

- Store the pressure detector dry and dust-free.
- Protect the membrane from damage.

## 6. Disposal

- The pressure detector can be recycled.
- The disposal applies to the valid environmental guidelines according to the location of the carrier and the local manufacturing conditions.

# EU-Konformitätserklärung EU-Declaration of Conformity

Wir/We

**MOLLET Füllstandtechnik GmbH**

Industriepark RIO 103  
D-74706 Osterburken  
Tel. 06291 64400 Fax 06291 9846

erklären hiermit, dass die Geräte:

declare that the devices:

**Silo-Druckmelder** der Typenreihen:

**Silo pressure detector** of type:

**MSD- ...**

**MSD- ...**

auf die sich diese Erklärung bezieht, den folgenden Normen oder normativen Dokumenten entsprechen:

to which this declaration relates is in accordance with the following standards or other normative documents:

**Richtlinie 2014/35/EU** (NSR-Richtlinie)  
**Richtlinie 2014/30/EU** (EMV-Richtlinie)

**Directive 2014/35/EU** (Directive LVD)  
**Directive 2014/30/EU** (Directive EMC)

und

and

**DIN EN 61010-1:2020, DIN EN 60529:2014  
DIN EN 61326-1:2013**

**DIN EN 61010-1:2020, DIN EN 60529:2014  
DIN EN 61326-1:2013**

Die grundlegenden Sicherheits- und Gesundheitsanforderungen werden erfüllt gemäß den Bestimmungen der Richtlinien und durch Einhaltung der Normen soweit es im Rahmen des Lieferumfanges möglich ist.

The Essential Health and Safety Requirements are assured by compliance with the directive and observance of the normative documents, as far as the scope of delivery allows.

Osterburken, 07. Januar 2021

Osterburken, January 7th 2021



Wolfgang Hageleit

Diese Erklärung darf nur unverändert weiterverbreitet werden.

This declaration is only allowed to hand out in unchanged form.