

Silo filling device

Shut-off valve for filling process of silos

SFA

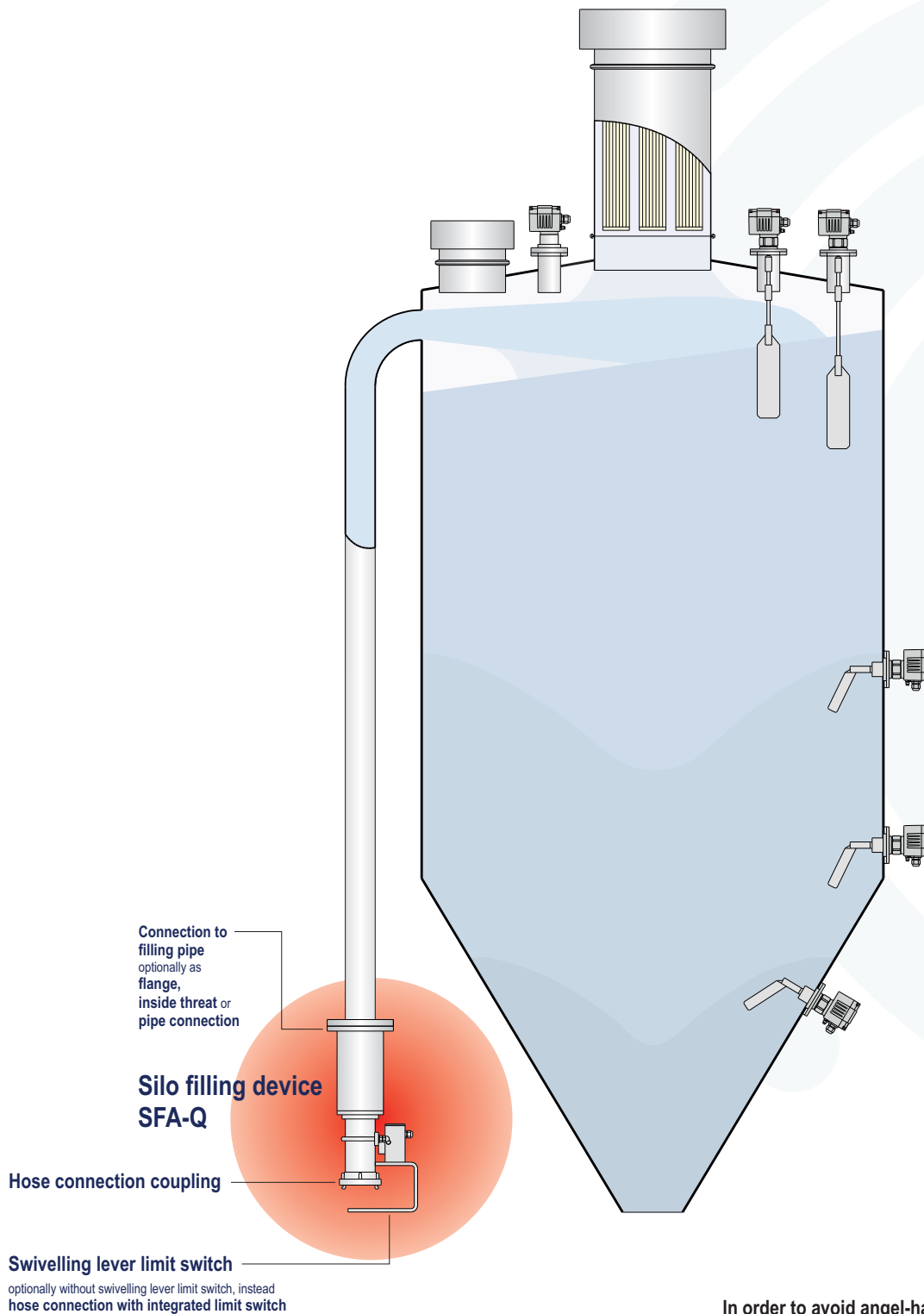
Appliance information

Index	Page
Application	02
Silo filling device with pinch valve	03 - 04
Silo filling device with ball valve	05 - 06

Application

Shut-off valve with connection coupling and swivelling lever

Silo filling device for shut-off the filling pipe in order to protect the silo plant against overload and overpressure

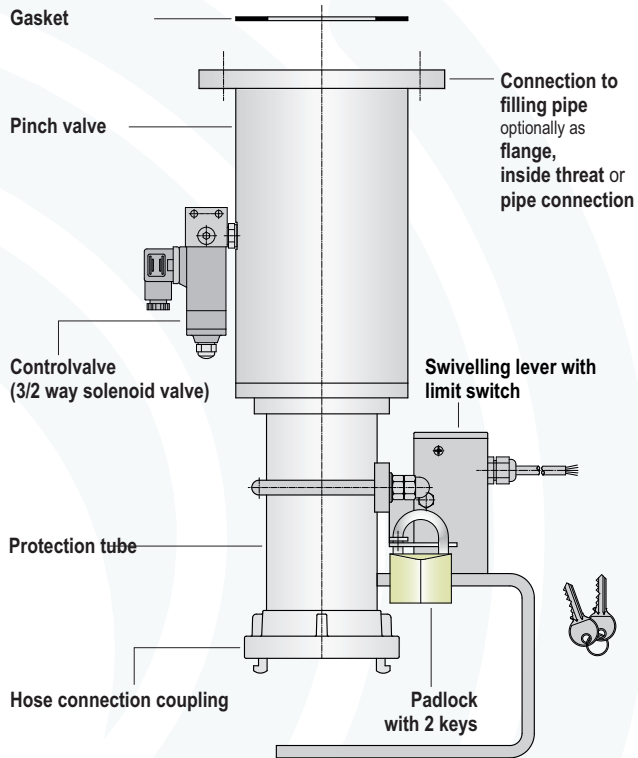


In order to avoid angel-hair, turbulences or change of core structure we supply optionally the silo filling device completely seamless.

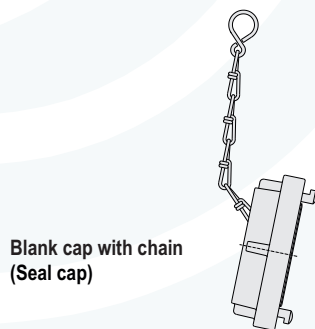
Appliance information

Silo filling device to connect the filling pipe and to shut-off the filling pipe while pneumatic filling process of silos from silo vehicles.

Silo filling device with pinch valve
Type: SFA-Q ... DN 65, 80, 100, 125 and 150



011-0200



Manufacturing modification

optional on customer's request

Pinch valve		
product touching parts in	Aluminium AlMgSi1	
or	Stainless steel 1.4571 / 316 Ti	
Hose	NR Caoutchouc, resistant to abrasion,	
or	NW Caoutchouc, inside white for food	
or	NRE Caoutchouc, conductible (for ATEX valves)	
Accessories	Quick air-exhaust valve	
	Pressure switch	
	for position indication or a signal "Hose fault"	
Control valve	Supply voltage	230 V AC,
		110 V AC,
		24 V AC,
	or	24 V DC
Protection tube		Steel, galvanized,
		Aluminium,
	or	Stainless steel 1.4571 / 316 Ti
Swivelling lever with limit switch		Steel, galvanized
	or	Stainless steel 1.4571 / 316 Ti
	with built-in	mechanical limit switch,
		inductive limit switch
	or	inductive limit switch NAMUR
Padlock		the same key for all locks
	or	a separate key for every lock
Hose connection coupling		Aluminium,
		Stainless steel,
		Brass
	or	Steel, galvanized
	System	"Storz",
		TW coupling DIN 28 450,
		KAMLOK DIN 2828,
		Guillemin,
		Flange DIN or ANSI,
		Flared-tube end (UK),
	or	Cardan
Blank cap		Aluminium,
		Stainless steel,
		Brass
	or	Steel, galvanized
	System	depending on hose coupling modification
modification	with an built-in cylinder lock	
	the same key for all locks	
	or	a separate key for every lock

Modification without swivelling lever limit switch

Hose connection coupling	
with built-in	mechanical limit switch,
	inductive limit switch
or	inductive limit switch NAMUR

ATEX option

B7
or
B3

Dust 

II 2/3D
or
II 1/3D

ATEX option

B1
or
B0

Dust 

II 1/2D
or
II 3/3D

Single parts

Silo filling device with pinch valve

Type SFA-Q ... DN 65, DN 80 and 100

	DN 65	DN 80	DN 100
Gasket	077-002-DIR-ABF	090-002-DIR-ABF	115-002-DIR-ABF
Hexagonal nut	0934-05-000-STV	0934-05-000-STV	0934-05-000-STV
Cylinder head screw	0912-05-045-STV	0912-05-045-STV	0912-05-045-STV
3/2-way solenoid valve with all components	230 V AC 0 820 005 250B 24 V DC 0 820 005 251B 24 V AC 0 820 005 253B		
Pinch valve depending on version	QV-065-FG-AX-XX	QV-080-FG-AX-XX	QV-100-FG-AX-XX
Threaded pin	0914-06X010-V4A	0914-06X010-V4A	0914-06X010-V4A
Double nipple in Steel, galvanized in 1.4571 / 316 Ti	065-200-NIP-STV 065-200-NIP-V4A	080-200-NIP-STV 080-200-NIP-V4A	100-200-NIP-STV 100-200-NIP-V4A
Swivelling lever with integrated limit switch	SES-065-X SIS-065-X SNS-065-X	SES-080-X SIS-080-X SNS-080-X	SES-100-X SIS-100-X SNS-100-X
2=2 m, 5=5 m, 0=10 m Cable length			
Padlock with 2 keys	KS-VS025-G, or optional KS-VS025-U,	the same key for all locks a separate key for every lock	
Thread pin	0914-05X010-V4A	0914-05X010-V4A	0914-05X010-V4A
Connection coupling in Aluminium in Aluminium / 1.4581 / 318	K-FSZ075IG2½-AL	K-FSZ075IG3-AL	K-FSZ110IG4-AL K-FSZ110IG4-AV
in 1.4581 / 318	K-FSZ075IG2½-VA	K-FSZ075IG3-VA	K-FSZ110IG4-VA

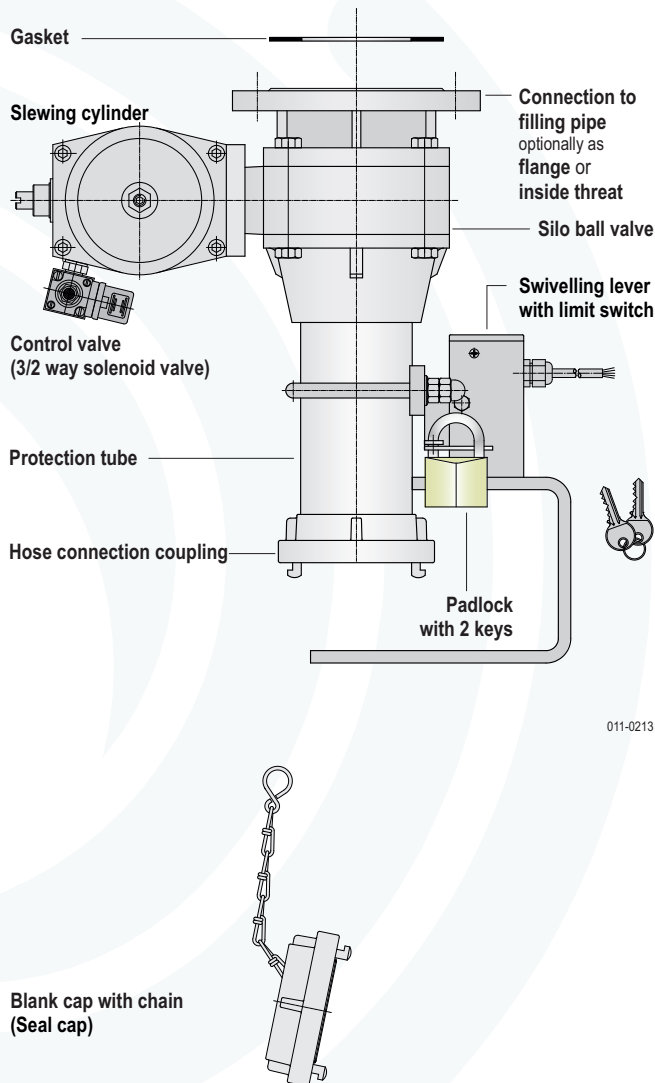
011-0800

Appliance information

Silo filling device to connect the filling pipe and to shut-off the filling pipe while pneumatic filling process of silos from silo vehicles.

Silo filling device with ball valve

Type SFA-K ... DN 80 and 100



Manufacturing modification

optional on customer's request

Silo ball valve	Housing	Aluminium
	Ball	Stainless steel
	Seal rings	PTFE / VITON
	Accessories	Quick air-exhaust valve Pressure switch for position indication
Slewing cylinder		single acting Silo valve close by electrical and/or compressed air defect
Control valve	Supply voltage	230 V AC, 110 V AC, 24 V AC, or 24 V DC
Protection tube		Steel, galvanized, Aluminium, or Stainless steel 1.4571 / 316 Ti
Swivelling lever with limit switch		Steel, galvanized or Stainless steel 1.4571 / 316 Ti
	with built-in	mechanical limit switch, inductive limit switch or inductive limit switch NAMUR
Padlock		the same key for all locks or a separate key for every lock
Hose connection coupling		Aluminium, Stainless steel, Brass or Steel, galvanized
	System	"Storz", TW coupling DIN 28 450, KAMLOK DIN 2828, Guillemin, Flange DIN or ANSI, Flared-tube end (UK), or Cardan
Blank cap		Aluminium, Stainless steel, Brass or Steel, galvanized
	System	depending on hose coupling modification
	modification	with an built-in cylinder lock, the same key for all locks or a separate key for every lock

Modification without swivelling lever

Hose connection coupling		
	with built-in	mechanical limit switch, inductive limit switch or inductive limit switch NAMUR

ATEX option

B0
or
B7

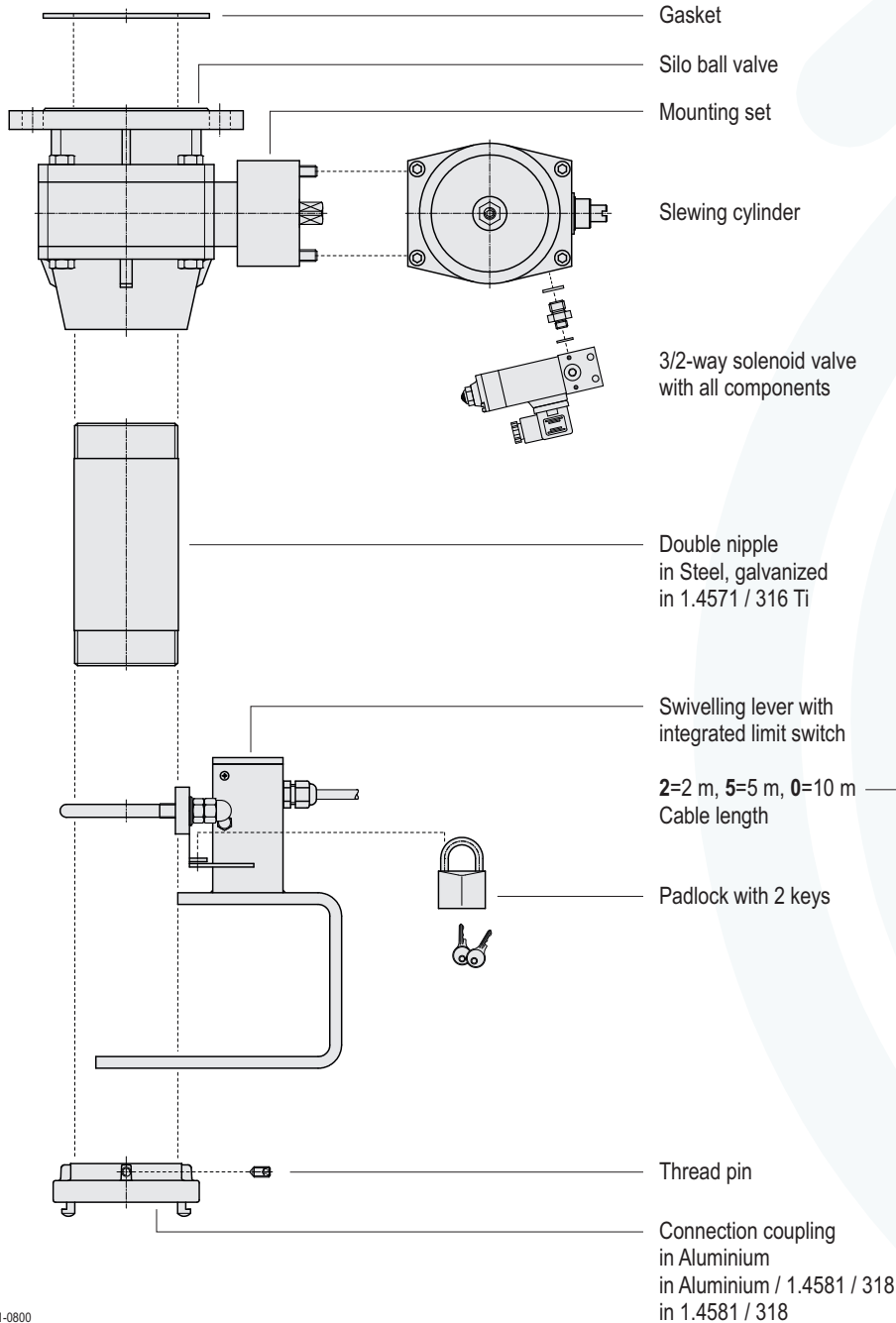


II 3/3D
or
II 2/3D

Single parts

Silo filling device with ball valve

Type SFA-K ... DN 80 and 100



DN 80	DN 100
090-002-DIR-ABF	115-002-DIR-ABF
SKVP080-FG-AE-TN	SKVP100-FG-AE-TN
SKVP080-SET	SKVP100-SET
GTE110	GTE127
230 V AC	0 820 005 150B
24 V DC	0 820 005 151B
24 V AC	0 820 005 153B
080-200-NIP-STV	100-200-NIP-STV
080-200-NIP-V4A	100-200-NIP-V4A
SES-080-X	SES-100-X
SIS-080-X	SIS-100-X
SNS-080-X	SNS-100-X
KS-VS025-G,	the same key for all locks
or optional	
KS-VS025-U,	separate key for every lock
0914-05X010-V4A	0914-05X010-V4A
K-FSZ075IG3-AL	K-FSZ110IG4-AL
K-FSZ075IG3-VA	K-FSZ110IG4-AV
	K-FSZ110IG4-VA

011-0800