

Couplings system „Storz“
with different closing devices

KS/KV

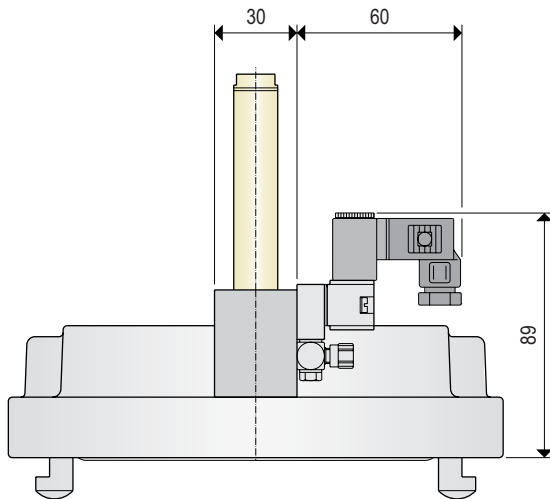
Appliance information

Index	Page
Couplings system system „Storz“ with cylinder lock	02 - 03
Couplings with inside thread „Storz“ with pneumatic locking	04 - 05
Technical data - couplings with inside thread system „Storz“	06
Technical data - hose couplings system „Storz“	07 - 08
Technical data - losse couplings system „Storz“	09
Technical data - blank cap system „Storz“	10

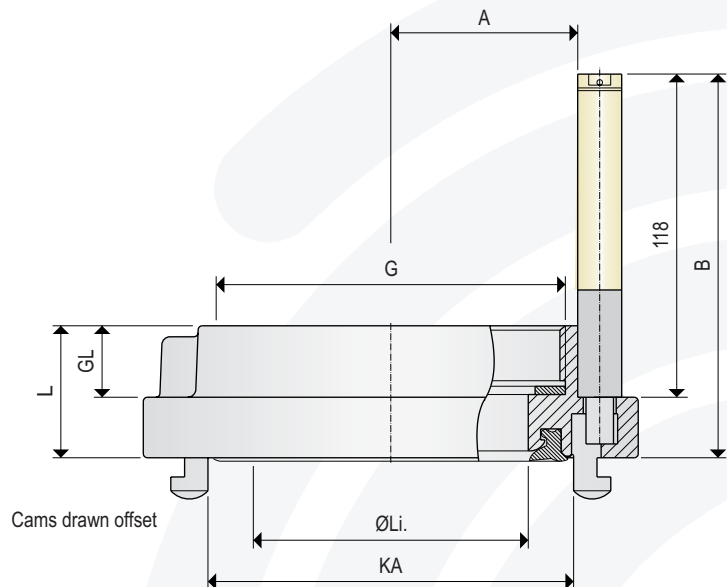
Appliance information

„Storz“ with pneumatic locking

Dimensions



007-0265



Cams drawn offset

Order code

Type	NG	G	W	C	KA	Li.	L	GL	A	B
KV - SZ 052	IG2	AL	5	66	44.5	40	20	32	135	
KV - SZ 065	IG2	AL	5	81	45	37	20	42	135	
KV - SZ 065	IG2½	AL	5	81	58	52	20	42	135	
KV - SZ 075	IG2	AL	5	89	50	38	20	42	136	
KV - SZ 075	IG2½	AL	5	89	64.5	42	20	42	136	
KV - SZ 075	IG3	AL	5	89	64.5	39	22	45	136	
KV - SZ 090	IG3	AL	5	105	78	40	22	50	137	
KV - SZ 100	IG4	AL	5	115	89.5	47	25	50	140	
KV - SZ 110	IG4	AL	5	133	100	48	25	68	140	
KV - SZ 110	IG4½	AL	5	133	100	48	25	68	140	
KV - SZ 125	IG5	AL	5	148	115	52	28	75	142	
KV - SZ 150	IG6	AL	5	160	130	60	30	85	145	

We deliver fundamentally with white DS-Seal rings, for high pressure and low pressure. (acc. to KE-TD-11)

NG = Nominal size
G = Thread
W = Material
C = Supply voltage
KA = Lug distance
Li. = Inner diameter

According to Directive 2014/68/EU for pressure equipment:

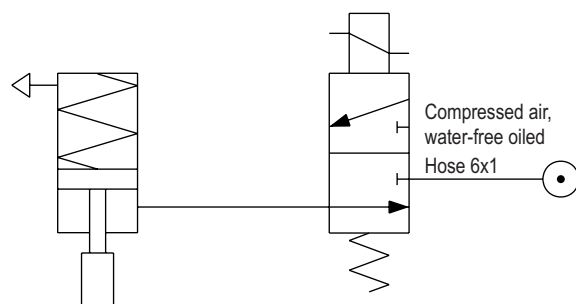
Usable for hazardous gases and liquids of group 1 up to 10 bar and up to DN 100

For example in pneumatic conveyor systems with combustible dusts etc.

Result of the evaluation of ignition danger acc. to DIN EN 13463-1:

The couplings (without cylinder and without solenoid valve) have no potential source of ignition on their own.

Function diagram



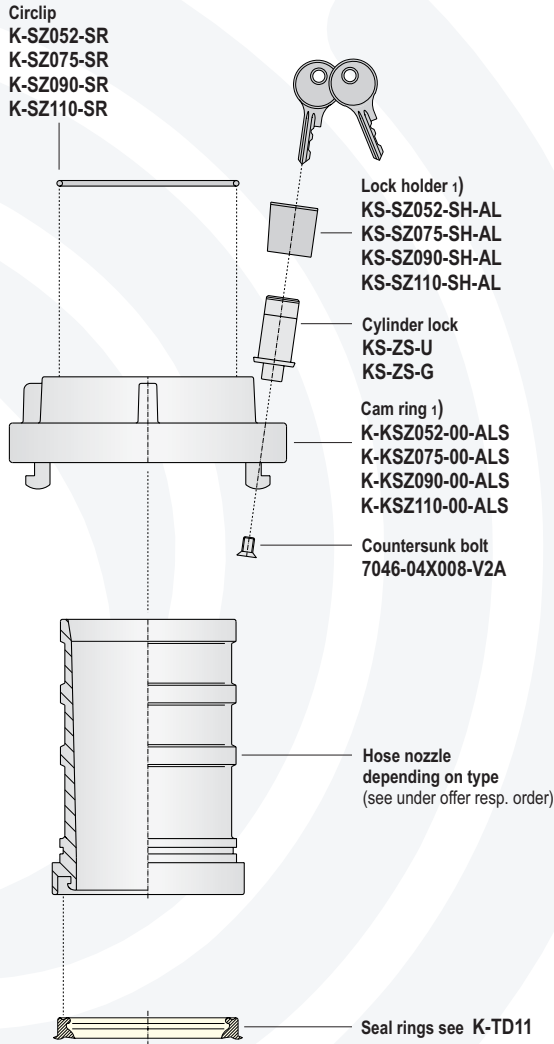
007-0265

Technical data

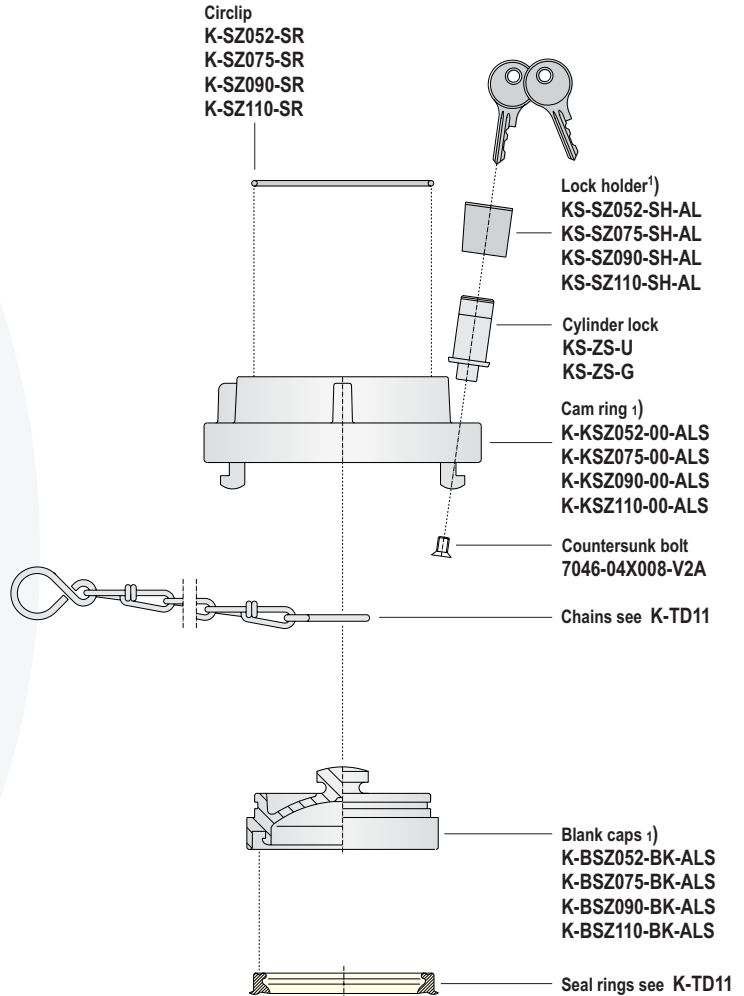
Materials (W)	Coupling	AL = Aluminium AV = Aluminium/1.4581 / 318 or 1.457X MS = Brass VA = 1.4581 / 318 or 1.457X
	Cylinder	Aluminium/Brass
	Mounting position	any
	Temperature range	-15 °C ... +50 °C
min. working pressure	2.5 bar	
Nominal pressure	8 bar	
Maintenance	none	
Supply voltage	C5	24 V DC
Power consumption		1 W
Cyclic duration factor		100 %
Type of protection		IP54

Single parts

„Storz“ with cylinder lock



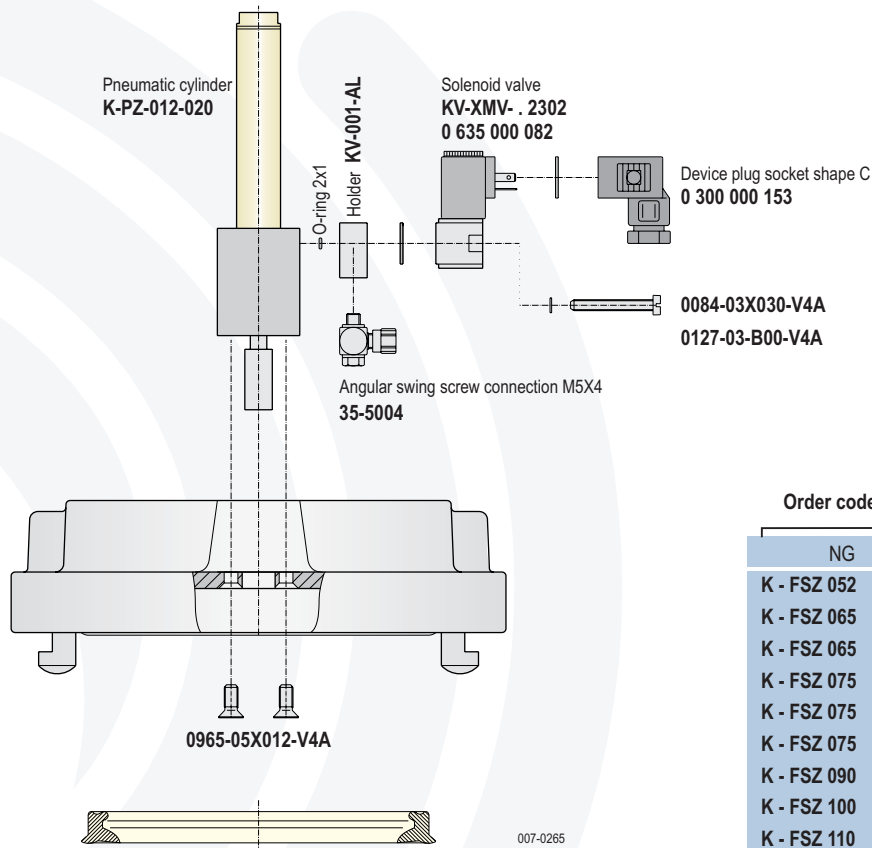
¹⁾ AL = Aluminium
VA = Stainless steel
MS = Brass



¹⁾ AL = Aluminium
VA = Stainless steel
MS = Brass

Single parts

„Storz“ with pneumatic locking



Order code couplings

	NG	G	W
K - FSZ 052	IG2	AL	V
K - FSZ 065	IG2	AL	V
K - FSZ 065	IG2½	AL	V
K - FSZ 075	IG2	AL	V
K - FSZ 075	IG2½	AL	V
K - FSZ 075	IG3	AL	V
K - FSZ 090	IG3	AL	V
K - FSZ 100	IG4	AL	V
K - FSZ 110	IG4	AL	V
K - FSZ 110	IG4½	AL	V
K - FSZ 125	IG5	AL	V
K - FSZ 150	IG6	AL	V

NG = Nominal size
G = Thread
W = Material

incl. seal rings

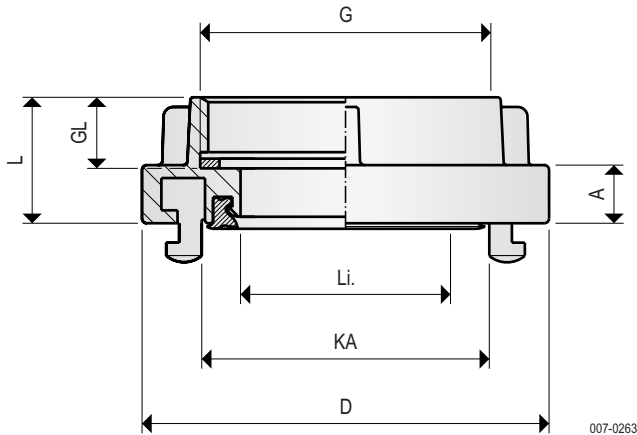
Seal rings depending on the type and acc. to data sheet **K-TD-11**

Materials (W) AL = Aluminium
AV = Aluminium/1.4581 / 318 or 1.457X
VA = 1.4581 / 318 or 1.457X
MS = Brass

Technical data

Couplings with inside thread „Storz“

Dimensions



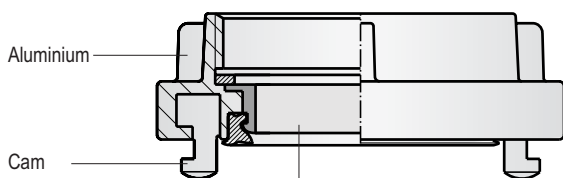
007-0263

Technical data

Ambient temperature	-25 °C ... +120 °C
Pressure	-0.9 bar ... 10 bar
Material (W)	AL Aluminium
Last digit 31	Aluminium wrought alloy AlMgSi according to DIN 1725 TI 1 G-AlMg5Si for sand casting
Last digit 32	Aluminium casting alloy G-AISI7Mg according to DIN 1725 TI 2
Seal rings DS*	Nitrile rubber, white * we deliver fundamentally seal rings for high pressure and low pressure (DS)
alternative	VITON, green (please order separate)

For the version AV

Material (W) **AV** Aluminium wrought alloy/1.4581 / 318 or 1.457X



product touching parts made of 1.4571 / 316 Ti

For the version VA

Material (W) **VA** Coupling complete made of 1.4581 / 318 or 1.457X

Couplings SP with locking pawl on request

Order code

Storz	Type	NG	G	W	ID-Nr.	KA	Li	L	GL	D	A
52	K - FSZ 052 IG1¼	AL	4 02898	31	66	32	32	20	98	17	17
52	K - FSZ 052 IG1¼	VA			66	32	32	20	98	17	17
52	K - FSZ 052 IG1½	AL	4 02690	31	66	32	32	20	98	17	17
52	K - FSZ 052 IG1½	VA			66	32	32	20	98	17	17
52	K - FSZ 052 IG2	AL	3 00001	31	66	44.5	40	20	98	17	17
52	K - FSZ 052 IG2	VA			66	44.5	40	20	98	17	17
52	K - FSZ 052 IG2½	AL	4 02517	31	66	44.5	40	20	98	17	17
52	K - FSZ 052 IG2½	VA			66	44.5	40	20	98	17	17
65	K - FSZ 065 IG2	AL	4 03991	31	81	45	37	20	118	17	17
65	K - FSZ 065 IG2	VA			81	45	37	20	118	17	17
65	K - FSZ 065 IG2½	AL	3 01985	31	81	58	52	20	118	17	17
65	K - FSZ 065 IG2½	VA			81	58	52	20	118	17	17
75	K - FSZ 075 IG2	AL	4 01315	31	89	50	38	20	126	19	19
75	K - FSZ 075 IG2	VA			89	50	38	20	126	19	19
75	K - FSZ 075 IG2½	AL	3 00006	31	89	64.5	42	20	126	19	19
75	K - FSZ 075 IG2½	VA			89	64.5	42	20	126	19	19
75	K - FSZ 075 IG3	AL	4 01200	31	89	64.5	39	22	126	19	19
75	K - FSZ 075 IG3	VA			89	64.5	39	22	126	19	19
90	K - FSZ 090 IG3	AL	3 00930	31	105	78	40	22	144	19	19
90	K - FSZ 090 IG3	AV			105	78	40	22	144	19	19
100	K - FSZ 100 IG4	AL	3 01745	31	115	89.5	47	25	155	22	22
100	K - FSZ 100 IG4	AV			115	89.5	47	25	155	22	22
110	K - FSZ 110 IG4	AL	2 00970	31	133	100	48	25	180	22	22
110	K - FSZ 110 IG4	AV			133	100	48	25	180	22	22
110	K - FSZ 110 IG4	VA			133	100	48	25	180	22	22
110	K - FSZ 110 IG4½	AL	2 00971	31	133	100	48	25	180	22	22
110	K - FSZ 110 IG4½	AV			133	100	48	25	180	22	22
125	K - FSZ 125 IG5	AL	3 01114	31	148	115	52	28	195	24	24
125	K - FSZ 125 IG5	AV			148	115	52	28	195	24	24
125	K - FSZ 125 IG5	VA			148	115	52	28	195	24	24
150	K - FSZ 150 IG6	AL	3 01754	31	160	130	56	30	220	33	33
150	K - FSZ 150 IG6	AV			160	130	56	30	220	33	33
150	K - FSZ 150 IG6	VA			160	130	56	30	220	33	33
165	K - FSZ 165 IG6	AL	2 00983	32	188	150	64	36	245	29	29
165	K - FSZ 165 IG6	AV			188	150	64	36	245	29	29
165	K - FSZ 165 IG7	AL	2 00271	32	188	150	64	36	245	29	29
165	K - FSZ 165 IG7	AV			188	150	64	36	245	29	29
205	K - FSZ 205 IG8	AL	2 00286	32	220	186	75	40	280	38	38
205	K - FSZ 205 IG8	AV			220	186	75	40	280	38	38
250	K - FSZ 250 IG10	AL	1 00295	32	278	236	78	42	350	45	45
250	K - FSZ 250 IG10	AV			278	236	78	42	350	45	45

NG = Nominal size
W = Material
G = Thread
GL = Thread length
Li = Inner diameter
KA = Cam distance
D = Diameter

According to Directive 2014/68/EU for pressure equipment:

Usable for hazardous gases and liquids of group 1 up to 10 bar and up to DN 100

For example in pneumatic conveyor systems with combustible dusts etc.

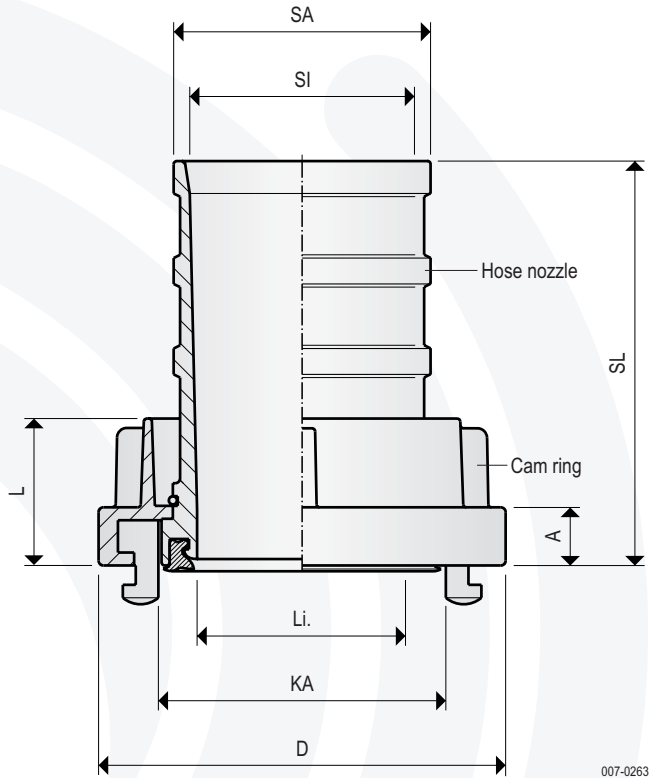
Result of the evaluation of ignition danger acc. to DIN EN 13463-1:

The couplings have no potential source of ignition on their own.

Technical data

Hose couplings „Storz“

Dimensions



Technical data

Ambient temperature	-25 °C ... +120 °C
Pressure	-0.9 bar ... 10 bar
Material (W)	AL Aluminium
Last digit	33 Aluminium general Gravity die casting according to DIN 1725 TI 2 Forging according to DIN 1725 TI 1
Seal rings	DS* Nitrile rubber, white * we deliver fundamentally seal rings for high pressure and low pressure (DS)
	alternative VITON, green (please order separate)

For the version AV

Material (W)	AV Cam part made of wrought alloy AlMgSi Hose nozzle made of 1.4581 / 318 or 1.457X
--------------	--

For the version VA

Material (W)	VA Coupling complete made of 1.4581 / 318 or 1.457X
--------------	---

Hose couplings SP with locking pawl on request

Storz	Ordercode					ID-Nr.	KA	Li	D	L	A	SL	SI
	Type	NG	SA	W									
52	K - SSZ 052 038 AL					6 00243 33	66	31.5	98	43	17	90	31.5
52	K - SSZ 052 038 AV						66	31.5	98	43	17	90	31.5
52	K - SSZ 052 038 VA						66	31.5	98	43	17	90	31.5
52	K - SSZ 052 042 AL					6 01009 33	66	33	98	43	17	90	36.5
52	K - SSZ 052 042 AV						66	33	98	43	17	90	36.5
52	K - SSZ 052 042 VA						66	33	98	43	17	90	36.5
52	K - SSZ 052 052 AL					4 02452 33	66	45	98	43	17	90	45
52	K - SSZ 052 052 AV						66	45	98	43	17	90	45
52	K - SSZ 052 052 VA						66	45	98	43	17	90	45
65	K - SSZ 065 052 AL					6 00115 33	81	45	118	34.5	17	90	45
65	K - SSZ 065 052 AV						81	45	118	34.5	17	90	45
65	K - SSZ 065 052 VA						81	45	118	34.5	17	90	45
65	K - SSZ 065 065 AL					6 00173 33	81	57	118	34.5	17	100	58
65	K - SSZ 065 065 AV						81	57	118	34.5	17	100	58
65	K - SSZ 065 065 VA						81	57	118	34.5	17	100	58
65	K - SSZ 065 075 AL					6 00128 33	81	65	118	34.5	17	100	65
65	K - SSZ 065 075 AV						81	65	118	34.5	17	100	65
65	K - SSZ 065 075 VA						81	65	118	34.5	17	100	65
75	K - SSZ 075 075 AL					6 03164 33	89	65	126	45	18	125	65
75	K - SSZ 075 075 AV						89	65	126	45	18	125	65
75	K - SSZ 075 075 VA						89	65	126	45	18	125	65
75	K - SSZ 075 080 AL					6 00179 33	89	70	126	45	18	125	70
75	K - SSZ 075 080 AV						89	70	126	45	18	125	70
75	K - SSZ 075 080 VA						89	70	126	45	18	125	70
90	K - SSZ 090 090 AL					6 00184 33	105	80	144	45	19	140	80
90	K - SSZ 090 090 AV						105	80	144	45	19	140	80
100	K - SSZ 100 100 AL					6 00185 33	115	90	155	47	22	150	90
100	K - SSZ 100 100 AV						115	90	155	47	22	150	90
100	K - SSZ 100 100 VA						115	90	155	47	22	150	90
110	K - SSZ 110 100 AL					6 00155 33	133	90	180	48	22	170	90
110	K - SSZ 110 100 AV						133	90	180	48	22	170	90
110	K - SSZ 110 100 VA						133	90	180	48	22	170	90
110	K - SSZ 110 110 AL					4 02463 33	133	100	180	48	22	170	100
110	K - SSZ 110 110 AV						133	100	180	48	22	170	100
110	K - SSZ 110 110 VA						133	100	180	48	22	170	100
125	K - SSZ 125 125 AL					6 00187 33	148	113	195	52	24	196	113
125	K - SSZ 125 125 AV						148	113	195	52	24	196	113
125	K - SSZ 125 125 VA						148	113	195	52	24	196	113
150	K - SSZ 150 150 AL					6 03590 33	160	138	220	56	33	180	138
150	K - SSZ 150 150 AV						160	138	220	56	33	180	138
150	K - SSZ 150 150 VA						160	138	220	56	33	180	138
165	K - SSZ 165 150 AL					6 00198 33	188	150	245	64	29	275	150
165	K - SSZ 165 150 AV						188	150	245	64	29	275	150
165	K - SSZ 165 150 VA						188	150	245	64	29	275	150
205	K - SSZ 205 205 AL					6 00201 33	220	185	280	75	38	375	185
205	K - SSZ 205 205 AV						220	185	280	75	38	375	185
205	K - SSZ 205 205 VA						220	185	280	75	38	375	185
250	K - SSZ 250 260 AL					2 00713 33	278	242	350	78	45	400	242
250	K - SSZ 250 260 AV						278	242	350	78	45	400	242
250	K - SSZ 250 260 VA						278	242	350	78	45	400	242

NG = Nominal size
W = Material
SA = Hose nozzle-outside-Ø
SI = Hose nozzle-inside-Ø
SL = Hose nozzle-length
G = Thread
Li = Inner diameter
KA = Cam distance
D = Diameter

According to Directive 2014/68/EU for pressure equipment:

Usable for hazardous gases and liquids of group 1 up to 10 bar and up to DN 100

For example in pneumatic conveyor systems with combustible dusts etc.

Result of the evaluation of ignition danger acc. to DIN EN 13463-1:

The couplings have no potential source of ignition on their own.

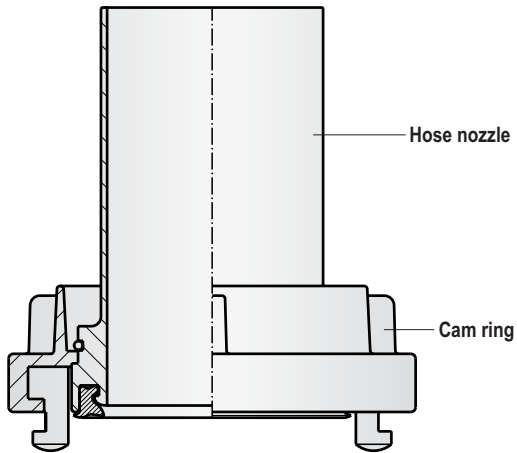
► Read and follow by installation and operation the safty instructions KE-SH-01 or KE-SH-03

Technical data

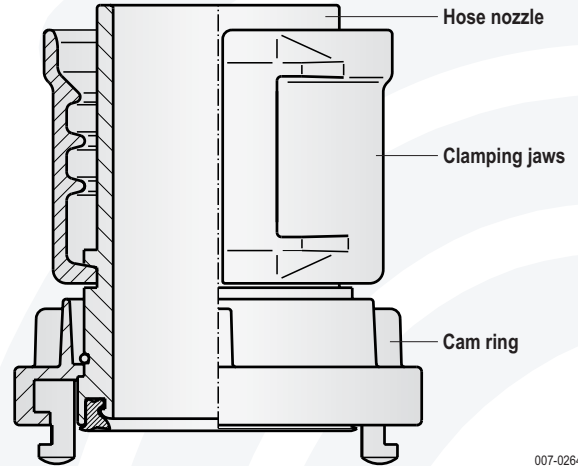
Hose couplings „Storz“

Manufacturing details

Hose-Couplings Storz 075, with smooth nozzle

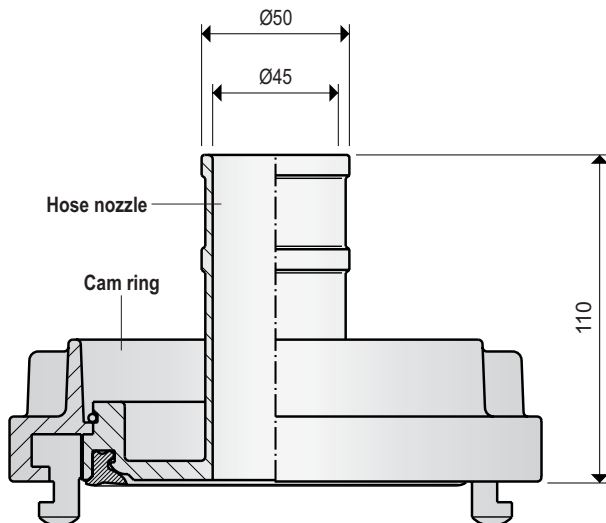


Hose-Couplings Storz 075, with smooth nozzle with safty collar for clamping jaws.



Hose-Couplings Storz 110, nozzle Ø50 mm

for connection of dry air at a silo for the storage of cristal sugar.



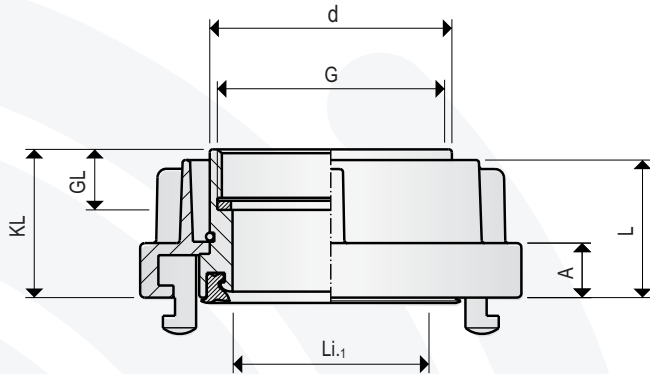
Hose nozzles and couplings to customer's request

- with any diameter, thick- or thin-walled, inside- or outside-Ø matched individually with the hose-Ø resp. the-Ø of the conveying pipe
- inside conical matching with the hose-Ø and the inside-Ø of the fixed coupling (butt-joint-free pneumatic conveyance)
- with safty collar (collar for clamping jaws)
- outside with grooves for fixation with fittings, plane or with serrated profile
- from all common materials

Technical data

Loose couplings „Storz“

Dimensions



Order code													
Storz	Type	NG	G	W	ID-Nr.	KA	Li ₁	GL	D	A	L	KL	d
52	K - LSZ 052 IG1¼	AL			5 02374 33	66	43	20	98	17.5	32	34	59.5
52	K - LSZ 052 IG1½	AL			5 01958 33	66	43	25	98	17.5	43	61.5	59.5
52	K - LSZ 052 IG1½	AV			66	43	25	98	17.5	43	61.5	59.5	
52	K - LSZ 052 IG1½	VA			66	43	25	98	17.5	43	61.5	59.5	
52	K - LSZ 052 IG2	AL			4 02691 33	66	44.5	20	98	17	43.5	51.5	68.5
52	K - LSZ 052 IG2	AV			66	44.5	20	98	17	43.5	51.5	68.5	
52	K - LSZ 052 IG2	VA			4 04128 46	66	45	20	98	17	43.5	51.5	68.5
75	K - LSZ 075 IG2½	AL			5 01959 33	89	62	20	126	18.5	45	51	82.5
75	K - LSZ 075 IG2½	AV			89	62	20	126	18.5	45	51	82.5	
75	K - LSZ 075 IG2½	VA			4 03420 46	89	62	20	126	18.5	45	51	82.5
90	K - LSZ 090 IG3	AL				105	77	20	144	20	43	43	97.5
90	K - LSZ 090 IG3	AV				105	77	20	144	20	43	43	97.5
110	K - LSZ 110 IG4	AL			3 02337 33	133	98	20	180	23	49	60.5	126.5
110	K - LSZ 110 IG4	AV				133	98	20	180	23	49	60.5	126.5
110	K - LSZ 110 IG4	VA				133	98	20	180	23	49	60.5	126.5
125	K - LSZ 125 IG4	AL				148	108	20	195	25	53	53	124
125	K - LSZ 125 IG4	AV				148	108	20	195	25	53	53	124

Technical data

Ambient temperatur	-25 °C ... +120 °C
Pressure	-0.9 bar ... 10 bar
Material (W)	AL Aluminium
Last digit	33 Aluminium general Gravity die casting according to DIN 1725 TI 2 Forging according to DIN 1725 TI 1
Seal rings DS*	Nitril rubber, white * we deliver fundamentally seal rings for high pressure and low pressure (DS)
alternative	VITON, green (please order separate)

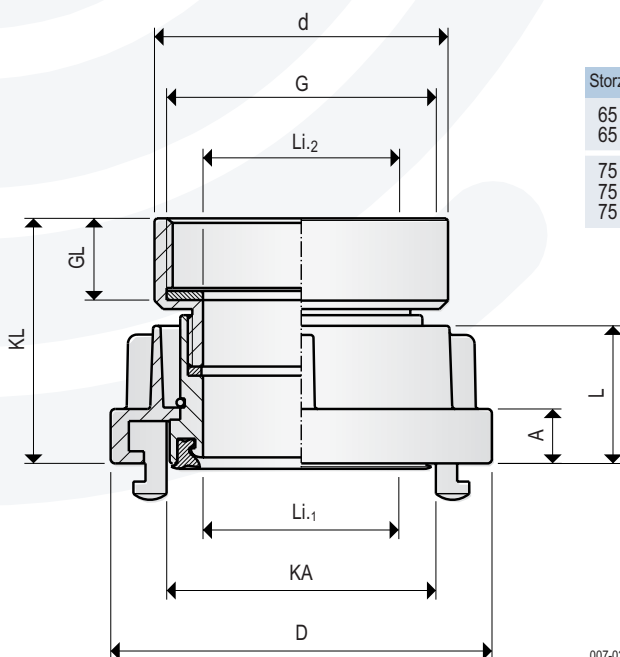
For the version AV

Material (W)	AV Cam part made of wrought alloy AlMgS product touching parts made of 1.457X
---------------------	--

For the version VA

Material (W)	VA Coupling complete made of 1.4581 / 318 or 1.457X
Last digit	46 1.4581 / 318 or 1.457X

Loose couplings SP with locking pawl on request



Order code														
Storz	Type	NG	G	W	ID-Nr.	KA	Li ₁	Li ₂	GL	D	A	L	KL	d
65	K - LSZ 065 IG2½	AL				81	54.5	65	20	118	17.5	34.5	80.5	84.5
65	K - LSZ 065 IG2½	AV				81	54.5	65	20	118	17.5	34.5	80.5	84.5
75	K - LSZ 075 IG3	AL			6 01573 33	89	61	75	20	126	18.5	45	74	98
75	K - LSZ 075 IG3	AV				89	61	75	20	126	18.5	45	74	98
75	K - LSZ 075 IG3	VA				89	61	75	20	126	18.5	45	74	98

NG = Nominal size
W = Material
G = Thread
GL = Thread length
KL = Couplings length
Li ₁ = Inner diameter
Li ₂ = Inner diameter
KA = Cam distance
D = Diameter
d = Diameter

According to **Directive 2014/68/EU for pressure equipment:**

Usable for **hazardous gases and liquids of group 1** up to **10 bar** and up to **DN 100**

For example in pneumatic conveyor systems with combustible dusts etc.

Result of the evaluation of ignition danger acc. to **DIN EN 13463-1:**

The couplings have no potential source of ignition on their own.

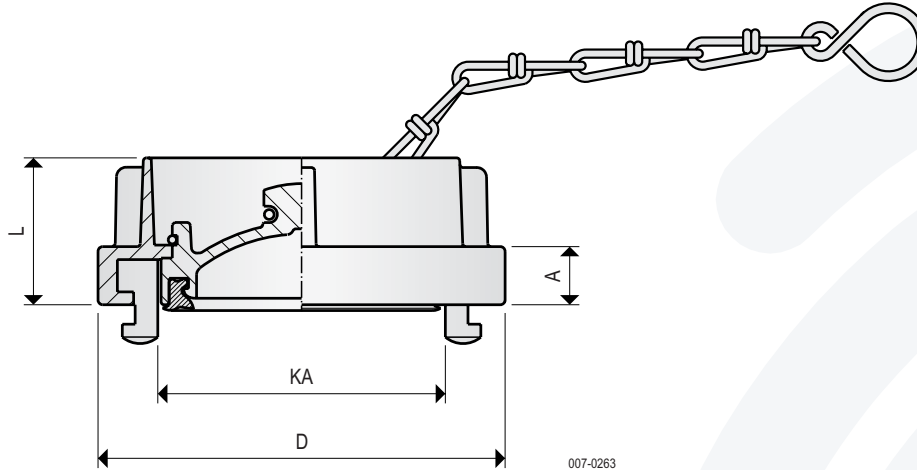
007-0263

► Read and follow by installation and operation the safty instructions KE-SH-01 or KE-SH-03

Technical data

Blank caps „Storz“

Dimensions



007-0263

Technical data

Ambient temperature	-25 °C ... +120 °C
Pressure	-0.9 bar ... 10 bar
Material (W)	AL Aluminium
Last digit	33 Aluminium general Gravity die casting according to DIN 1725 TI 2 Forging according to DIN 1725 TI 1
Seal rings DS*	Nitrile rubber, white * we deliver fundamentally seal rings for high pressure and low pressure (DS)
alternative	VITON, green (please order separate)

For the version VA

Material (W)	VA Coupling complete made of 1.4581 / 318 or 1.457X
--------------	---

Order code

Storz	Type	NG	W	ID-Nr.	KA	L	D	A
52	K - BSZ 052	AL	4 02476 33	66	43	98	17	17
52	K - BSZ 052	VA		66	43	98	17	17
65	K - BSZ 065	AL	6 01436 33	81	34.5	118	17	17
65	K - BSZ 065	VA		81	34.5	118	17	17
75	K - BSZ 075	AL	6 02897 33	89	45	126	18	18
75	K - BSZ 075	VA		89	45	126	18	18
90	K - BSZ 090	AL	4 02486 33	105	45	144	19	19
90	K - BSZ 090	VA		105	45	144	19	19
100	K - BSZ 100	AL	4 02480 33	115	47	155	22	22
100	K - BSZ 100	VA		115	47	155	22	22
110	K - BSZ 110	AL	6 02898 33	133	48	180	22	22
110	K - BSZ 110	VA		133	48	180	22	22
125	K - BSZ 125	AL	4 02495 33	148	52	195	24	24
125	K - BSZ 125	VA		148	52	195	24	24
150	K - BSZ 150	AL	4 02498 33	160	56	220	33	33
150	K - BSZ 150	VA		160	56	220	33	33
165	K - BSZ 165	AL	4 02500 33	188	64	245	29	29
165	K - BSZ 165	VA		188	64	245	29	29
205	K - BSZ 205	AL	4 02504 33	220	75	280	38	38
205	K - BSZ 205	VA		220	75	280	38	38
250	K - BSZ 250	AL	2 01139 33	278	78	350	45	45
250	K - BSZ 250	VA		278	78	350	45	45

NG = Nominal size
W = Material
KA = Cam distance
D = Diameter

According to **Directive 2014/68/EU for pressure equipment:**

Usable for **hazardous gases and liquids of group 1** up to **10 bar** and up to **DN 100**

For example in pneumatic conveyor systems with combustible dusts etc.

Result of the evaluation of ignition danger acc. to **DIN EN 13463-1:**

The couplings have no potential source of ignition on their own.