

Swivelling lever

with mechanical or inductive limit switches



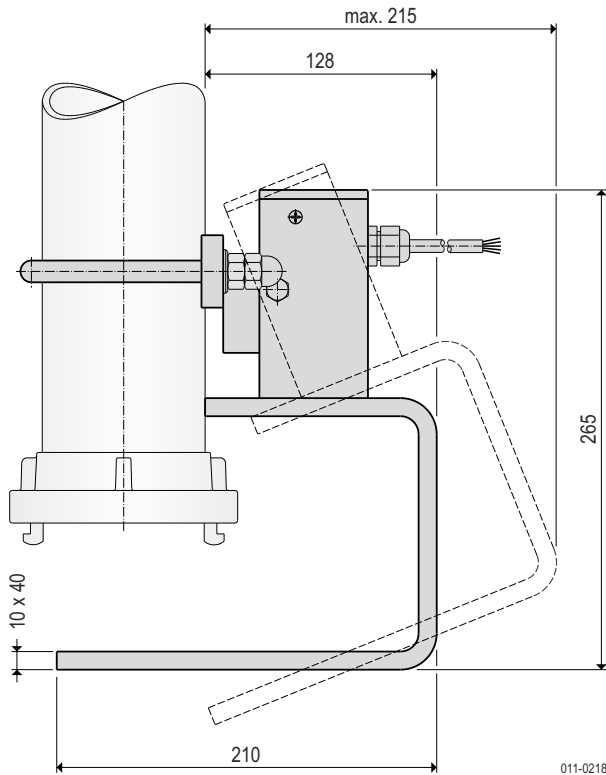
Appliance information

For all pipe couplings
robust and safe against vandalism

| Index | Seite |
|--|-------|
| Swivelling lever with limit switch | 02 |
| Single parts for swivelling lever | 03 |

Appliance information

Dimensions



011-0218

Mode of operation

- while coupling the counter coupling or hose coupling, the lever is swivelling besides and the limit switch will be actuated
- blank caps don't activate the limit switch
- due to the robust construction a damage of the switch while handling with tools will be prevented
- insensitiveness against dirt

Use

The swivelling lever with integrated limit switch is for signaling that a hose coupling has been coupled at silos or tanks or coupling stations of the heavy industry, construction industry, concrete plants, foundries, glass industry, chemical industry and environmental technologies.

Material

Support jig and swivelling lever Steel, galvanized

ATEX option SES

B0 **Dust**  II 3D Ex tc IIIB T80 °C Dc

ATEX option SIS

B0 **Dust**  II 3D Ex tc IIIB T90 °C Dc

ATEX option SNS

B6 **Gas**  II 2G Ex ia IIB T6...T1 Gb
and
II 2D Ex ia IIIB T135 °C Db

Switch variations

SES- ... E = Limit switch with mechanical contact

| | | |
|-------------------------|--------|-----------------------|
| Material | Switch | Zn-Al alloy |
| Switching voltage | | 10 ... 250 V AC or DC |
| Switching function | | 1 NC + 1 NO |
| Capacity of the contact | | 1.5 A / 250 V AC |
| Ambient temperature | | -25 °C ... +70 °C |
| Type of protection | | IP67 (DIN EN 60529) |

SIS- ... I = Inductive limit switch

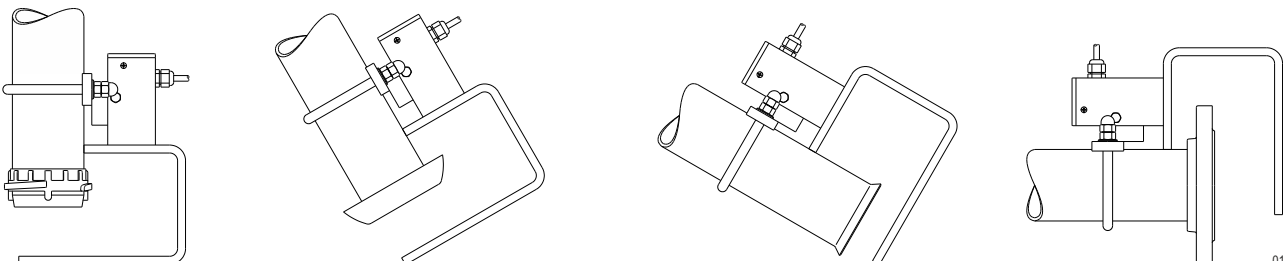
| | | |
|-----------------------|----------------|--------------------------|
| Material | Switch | CuZn, chromium plated |
| | active surface | PA12-GF30 |
| Supply voltage | | 10 ... 30 V DC |
| Switching function | | PNP, Normally Open (NO) |
| Load current capacity | | 200 mA, constant current |
| Ambient temperature | | -25 °C ... +70 °C |
| Type of protection | | IP68 (DIN EN 60529) |

SNS- ... N = Inductive limit switch NAMUR

| | | |
|---------------------|--------|--------------------------------|
| Material | Switch | PBTP (Polybutylenterephthalat) |
| Supply voltage | | 8 V DC |
| Switching function | | Normally Open (NO) |
| Ambient temperature | | -25 °C ... +70 °C |
| Type of protection | | IP68 (DIN EN 60529) |

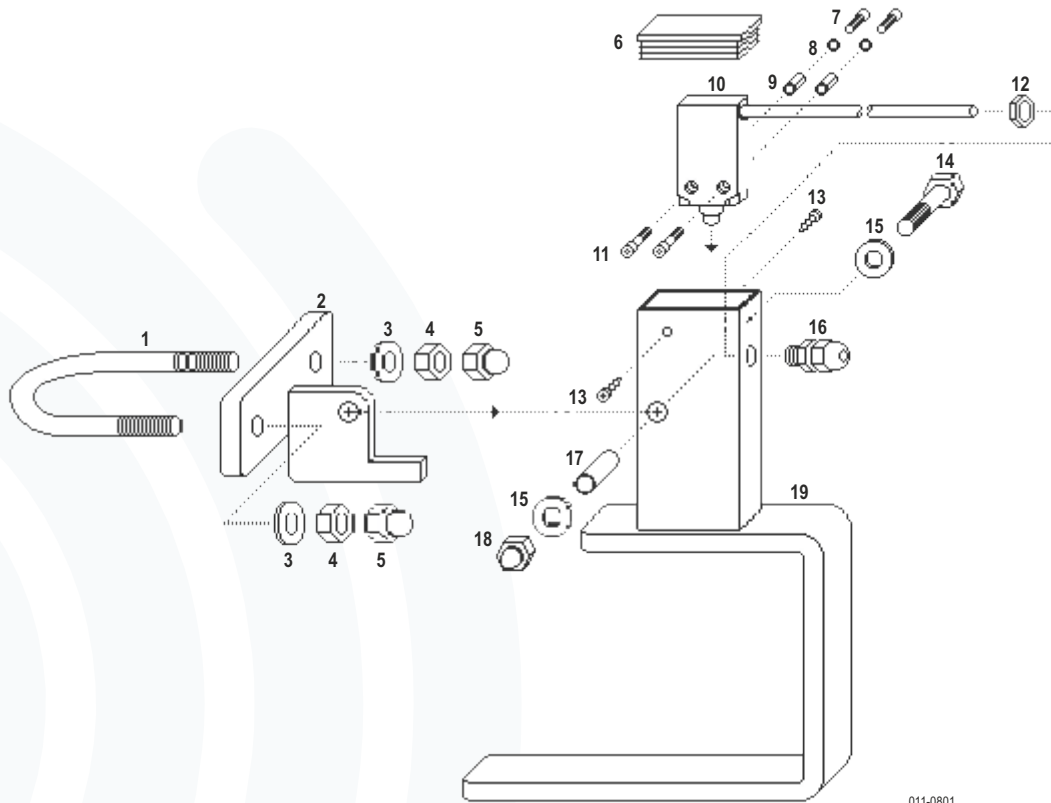
For use at pippings with

Coupling system „Storz“, couplings for tank trailers, cardan couplings, connection cones (UK), flange connections, dry couplings etc.



011-0219

Single parts



011-0801

| Item | Pcs. | Reference |
|------|------|------------------------|
| 1 | 1 | Round steel shackle |
| | 1 | Round steel shackle |
| | 1 | Round steel shackle |
| | 1 | Round steel shackle |
| | 1 | Round steel shackle |
| 2 | 1 | Fixing plate |
| | 1 | Fixing plate |
| | 1 | Fixing plate |
| | 1 | Fixing plate |
| | 1 | Fixing plate |
| 3 | 2 | Washer |
| | 2 | Washer |
| 4 | 2 | Hexagonal nut |
| | 2 | Hexagonal nut |
| 5 | 2 | Hexagon cap nut |
| | 2 | Hexagon cap nut |
| 6 | 1 | Plug |
| 7 | 2 | Cylinder head screw |
| 8 | 2 | Snap ring |
| 9 | 2 | Hexagonal nut |
| 10 | 1 | E - Limit switch |
| | 1 | I - Limit switch |
| | 1 | N - Limit switch |
| 11 | 2 | Cylinder head screw |
| 12 | 1 | Hexagonal nut |
| 13 | 2 | ABC Spax screw |
| 14 | 1 | Hexagon head screw |
| 15 | 2 | Washer |
| 16 | 1 | Screwed cable gland |
| 17 | 1 | Bearing sleeve |
| 18 | 1 | Hexagon cap nut |
| 19 | 1 | Swivelling lever |

| Order code | for size |
|-----------------|-----------------|
| 3570-065-A0-STV | 065 |
| 3570-080-A0-STV | 080 |
| 3570-100-A0-STV | 100 |
| 3570-125-A0-STV | 125 |
| 3570-150-A0-STV | 150 |
| SES-H065 | 065 |
| SES-H080 | 080 |
| SES-H100 | 100 |
| SES-H125 | 125 |
| SES-H150 | 150 |
| 0125-12-B00-STV | 065 + 080 |
| 0125-16-B00-STV | 100 + 125 + 150 |
| 0934-12-000-STV | 065 + 080 |
| 0934-16-000-STV | 100 + 125 + 150 |
| 0986-12-000-STV | 065 + 080 |
| 0986-16-000-STV | 100 + 125 + 150 |
| 64286-IF-KST | |
| 0912-04X008-STV | |
| 0127-04-B00-V2A | |
| 0000-04X010-STV | |

Order code

| Cable length 2 m | Cable length 5 m | Cable length 10 m |
|------------------|------------------|-------------------|
| KE-XCM-A110-2 | KE-XCM-A110-5 | KE-XCM-A110-0 |
| KI-XCM-3019-5-2 | KI-XCM-3019-5-5 | KI-XCM-3019-5-0 |
| KN-XCM-NJ4K-5-2 | KN-XCM-NJ4K-5-5 | KN-XCM-NJ4K-5-0 |

| |
|-----------------|
| 0912-04X012-STV |
| 50.216-PA-JK |
| 0ABC-04X015-STV |
| 0931-08X040-STV |
| 0125-08-B00-STV |
| 50.616-PA-JK |
| SES-R030 |
| 0986-08-000-STV |
| SES-S002 |

Notes

The page contains a large grid area for taking notes. On the right side of the grid, there is a faint, large watermark of the Mollet logo, which consists of several concentric, slightly curved lines forming a circular shape.