

Level measurement

Guided wave radar **MOLOS**
wave 1

Yo-Yo sensing systems **MOLOS**
bob 2

Visualization **MOLOS**
visu 3

Rotation **MOLOS**
roto 4

Membrane **MOLOS**
membran 5

Level indicator

Vibration **MOLOS**
vibro 6

Microwave barrier **MOLOS**
barrier 7

Pendulum **MOLOS**
pendu 8

Coding **MOLOS**
code 9

Limit switch **MOLOS**
switch 10

Hose couplings

Swivelling lever **MOLOS**
swing 11

Lockable couplings **MOLOS**
lock 12

Overload protection **MOLOS**
safe 13

Silo filling device **MOLOS**
safe 14

Bulk solids handling

Pressure device **MOLOS**
pressdec 15

Microwave flow sensor **MOLOS**
flow 16

Pinch valves **MOLOS**
valve 17

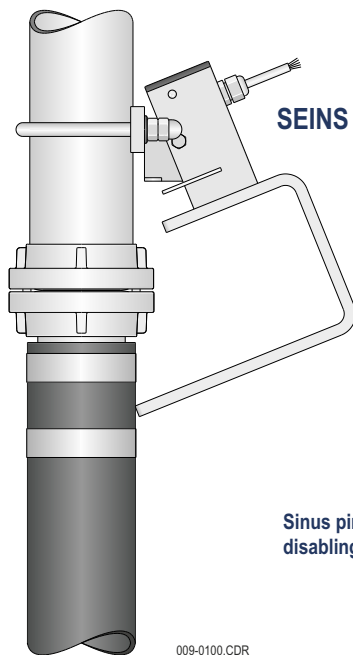
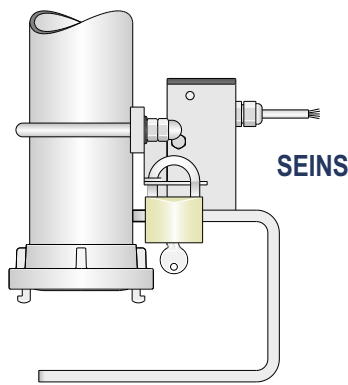


Advantages of swivelling lever with limit switch:

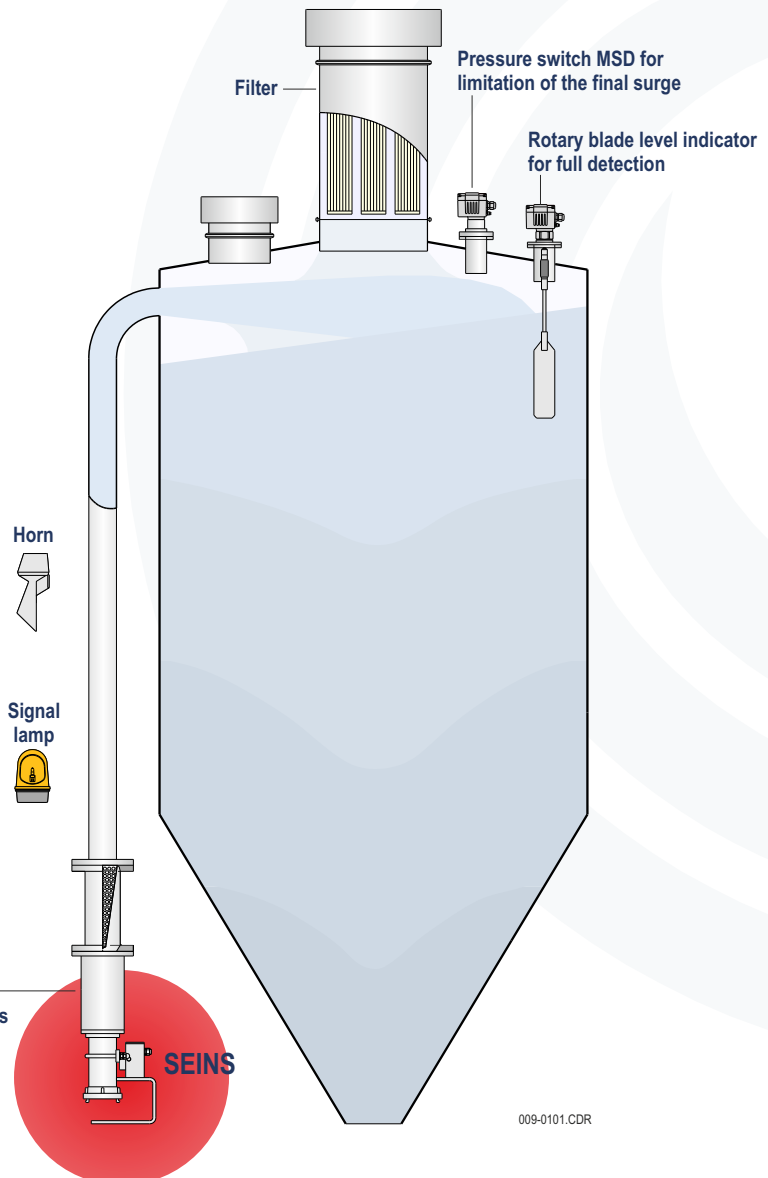
- secure signal when coupling of silo and tank vehicles
- robust design avoids damaging of the switch
- switch is insensitive against dirt
- switches mechanical SES, inductive SIS or acc. NAMUR standard SNS
- blind couplings do not operate the limit switch

Robust switch on of control for the automatic silo filling process.

(Filter purification, full indication, limitation of the final surge, locking valve of filling pipe and signal generator)



009-0100.CDR



11

Selection list

SES mechanical limit switch

SIS inductive limit switch

SNS inductive limit switch
NAMUR

ATEX option

B0 **Dust**  II 3D IIIB

ATEX option

B0 **Dust**  II 3D IIIB

ATEX option

B6 **Gas**  II 2G IIB
and II 2D IIIB

Basic device

Choice of options

Switch

- E** Limit switch with mechanical contact
- I** Inductive limit switch 10...30 V DC
- N** Inductive limit switch NAMUR

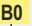
Nominal size, diameter of tube

- 065** for tube Ø 76.1
- 080** for tube Ø 88.9
- 100** for tube Ø 108 ... 114.3
- 125** for tube Ø 133 ... 139.7
- 150** for tube Ø 159 ... 168.3

Cable length

- 2** Cable of 2 meters
- 5** Cable of 5 meters
- 0** Cable of 10 meters

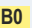
Certifications, approvals for SES

- Standard** = C E conform IP67
- B0** ATEX  II 3D IIIB

S E S - - - - -

← Order code



Certifications, approvals for SIS

- Standard** = C E conform IP68
- B0** ATEX  II 3D IIIB

S I S - - - - -

← Order code

Certifications, approvals for SNS

- Standard** = C E conform IP68
- B6** ATEX  II 2G IIB
and  II 2D IIIB

S N S - - - - -

← Order code

Padlock, simultaneous locking

KS-VS025-G

Padlock, unequal locking

KS-VS025-U

We provide deliveries, services and offers exclusively on the basis of our General Terms and Conditions that are available for viewing and download at www.mollet-level.com.

Technical alteration rights reserved.

