

# Swivelling lever

with mechanical or inductive limit switches



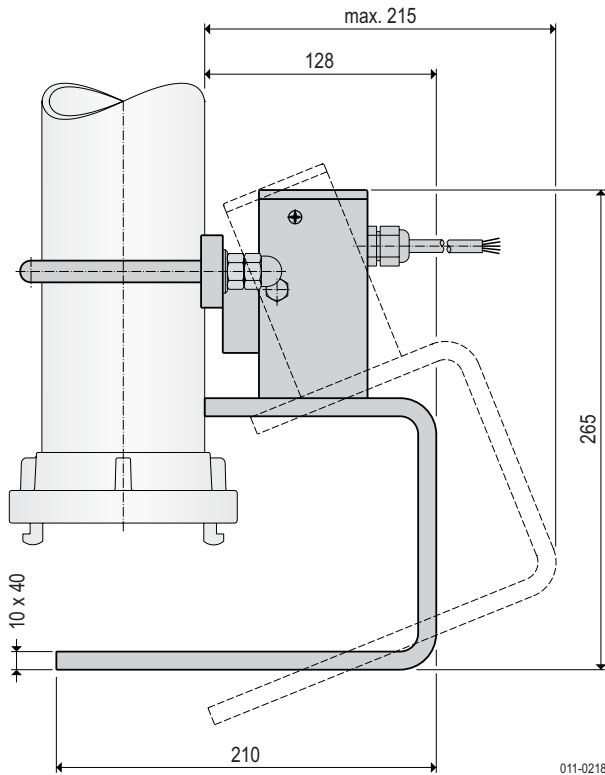
## Appliance information

*For all pipe couplings*  
*robust and safe against vandalism*

Index	Seite
Swivelling lever with limit switch .....	02
Single parts for swivelling lever .....	03

## Appliance information

### Dimensions



011-0218

### Mode of operation

- while coupling the counter coupling or hose coupling, the lever is swivelling besides and the limit switch will be actuated
- blank caps don't activate the limit switch
- due to the robust construction a damage of the switch while handling with tools will be prevented
- insensitiveness against dirt

### Use

The swivelling lever with integrated limit switch is for signaling that a hose coupling has been coupled at silos or tanks or coupling stations of the heavy industry, construction industry, concrete plants, foundries, glass industry, chemical industry and environmental technologies.

### Material

Support jig and swivelling lever Steel, galvanized

#### ATEX option SES

B0 **Dust**  II 3D Ex tc IIIC T80 °C

#### ATEX option SIS

B0 **Dust**  II 3D Ex tc IIIB T80 °C

#### ATEX option SNS

**Gas**  II 2G EEX ia IIC T6  
and  
B6 **Dust** II 2D Ex iaD 21 T67 °C

### Switch variations

SES- ... E = Limit switch with mechanical contact

Material	Switch	Zn-Al alloy
Switching voltage		10 ... 250 V AC or DC
Switching function		1 NC + 1 NO
Capacity of the contact		1.5 A / 250 V AC
Ambient temperature		-25 °C ... +70 °C
Type of protection		IP67 (DIN EN 60529)

SIS- ... I = Inductive limit switch

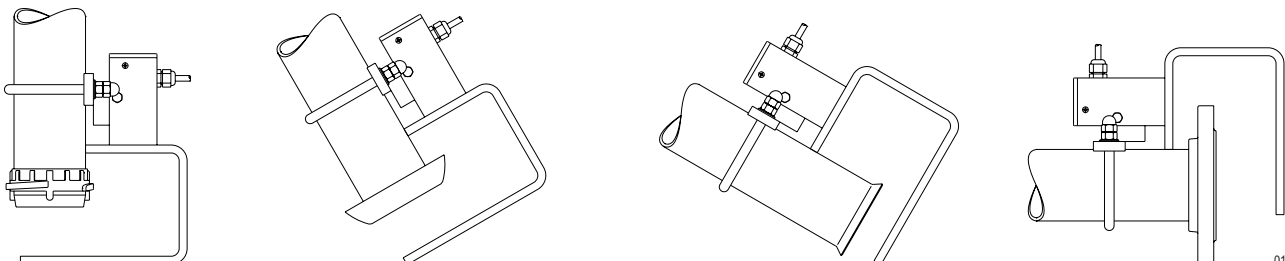
Material	Switch	CuZn, chromium plated
	active surface	PA12-GF30
Supply voltage		10 ... 30 V DC
Switching function		PNP, Normally Open (NO)
Load current capacity		200 mA, constant current
Ambient temperature		-20 °C ... +60 °C
Type of protection		IP68 (DIN EN 60529)

SNS- ... N = Inductive limit switch NAMUR

Material	Switch	PBTP (Polybutylenterephthalat)
Supply voltage		8 V DC
Switching function		Normally Open (NO)
Ambient temperature		-20 °C ... +60 °C
Type of protection		IP68 (DIN EN 60529)

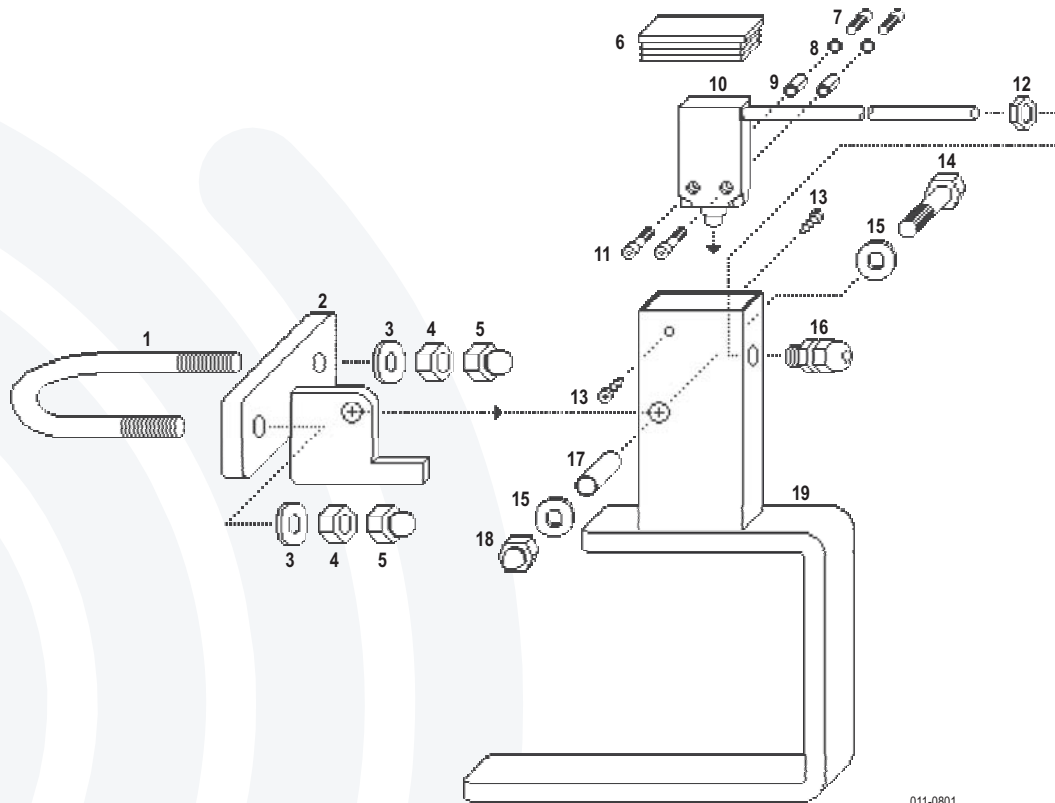
### For use at pippings with

Coupling system „Storz“, couplings for tank trailers, cardan couplings, connection cones (UK), flange connections, dry couplings etc.



011-0219

## Single parts



011-0801

Item	Pcs.	Reference
1	1	Round steel shackle
	1	Round steel shackle
	1	Round steel shackle
	1	Round steel shackle
	1	Round steel shackle
2	1	Fixing plate
	1	Fixing plate
	1	Fixing plate
	1	Fixing plate
	1	Fixing plate
3	2	Washer
	2	Washer
4	2	Hexagonal nut
	2	Hexagonal nut
5	2	Hexagon cap nut
	2	Hexagon cap nut
6	1	Plug
7	2	Cylinder head screw
8	2	Snap ring
9	2	Hexagonal nut
10	1	E - Limit switch .....
	1	I - Limit switch .....
	1	N - Limit switch .....
11	2	Cylinder head screw
12	1	Hexagonal nut
13	2	ABC Spax screw
14	1	Hexagon head screw
15	2	Washer
16	1	Screwed cable gland
17	1	Bearing sleeve
18	1	Hexagon cap nut
19	1	Swivelling lever

Order code for size

3570-065-A0-STV	065
3570-080-A0-STV	080
3570-100-A0-STV	100
3570-125-A0-STV	125
3570-150-A0-STV	150
SES-H065	065
SES-H080	080
SES-H100	100
SES-H125	125
SES-H150	150
0125-12-B00-STV	065 + 080
0125-16-B00-STV	100 + 125 + 150
0934-12-000-STV	065 + 080
0934-16-000-STV	100 + 125 + 150
0986-12-000-STV	065 + 080
0986-16-000-STV	100 + 125 + 150
64286-IF-KST	
0912-04X008-STV	
0127-04-B00-V2A	
0000-04X010-STV	

Order code

Cable length 2 m	Cable length 5 m	Cable length 10 m
KE-XCM-A110-2	KE-XCM-A110-5	KE-XCM-A110-0
KI-XCM-3019-5-2	KI-XCM-3019-5-5	KI-XCM-3019-5-0
KN-XCM-NJ4K-5-2	KN-XCM-NJ4K-5-5	KN-XCM-NJ4K-5-0

0912-04X012-STV
50.216-PA-JK
0ABC-04X015-STV
0931-08X040-STV
0125-08-B00-STV
50.616-PA-JK
SES-R030
0986-08-000-STV
SES-S002

## Notes

The page contains a large grid area for taking notes. On the right side of the grid, there is a large, faint watermark of the Mollet logo, which consists of several concentric, curved lines forming a stylized 'M' or 'O' shape.