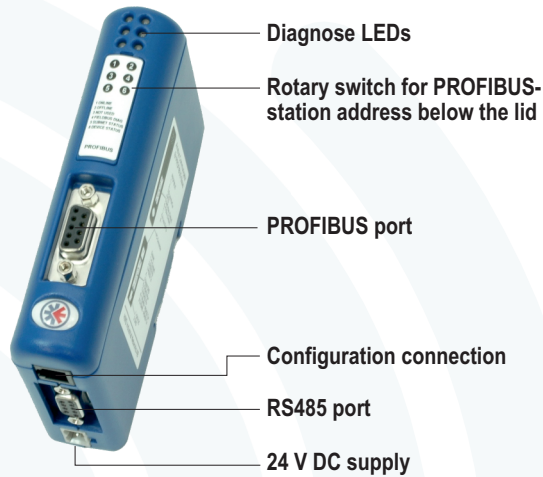


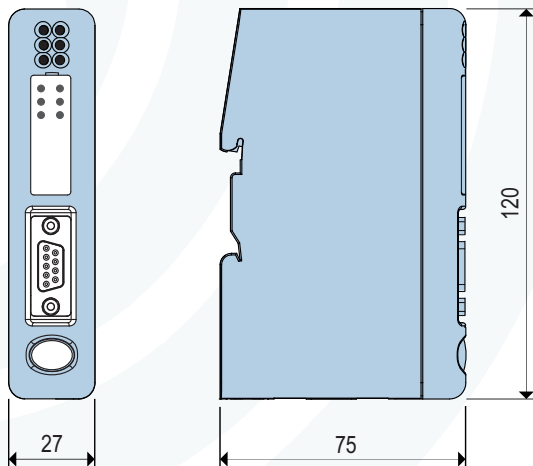
Appliance information

Protocol converter RS485-PROFIBUS-DP

Drawing



Dimensions



Use

The **KC-AB-RS485-DP** is a PROFIBUS protocol converter.

It connects the RFID reading devices KC-LG16M with the PROFIBUS-DP network and takes over the task of an interface converter.

The protocol converter realizes the complete functional range of a PROFIBUS-DP-slave.

With the MOLLET configuration the protocol converter transforms the serial reading device interface into a PROFIBUS DP protocol.

Connections

PROFIBUS connection	D sub female, 9 pole at the front panel
Configuration connection	RJ-11 (4P4C)
RS485 connection	D sub female, 9 pole at the bottom side
Supply voltage	plug terminal, 2 pole, up to 2.5 mm ²

Technical data

Housing	plastics, blue
Supply voltage	24 V DC (-10% / + 10%)
Current consumption	≤300 mA, typical 100 mA
Serial interface	RS485 (2-wire) digit rate 9600 bit/s 8 data bits, 1 stop bit, no parity
PROFIBUS	digit rate up to 12 Mbit/s
Ambient temperature	0 °C ... +55 °C
Relative humidity	0 ... 95% non-condensing
Protection class	IP20 acc. DIN EN 60529
Mounting	snap-on connection to DIN-rail
Maintenance	none
Configuration	MOLLET RFID-RS485-DP
Weight	150 g

Order code **KC-AB-RS485-DP** (Anybus AB7000)

Appliance information

Example of wiring for RS485 bus distributor

Connection scheme with Anybus protocol converter

