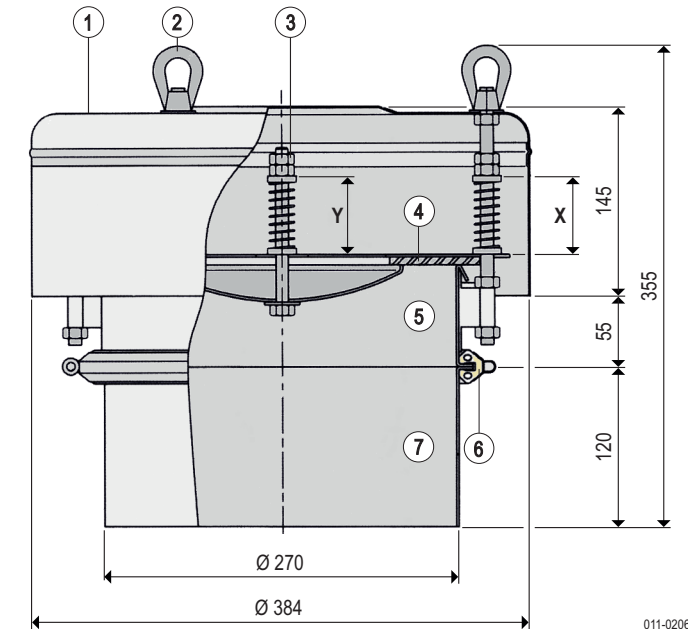


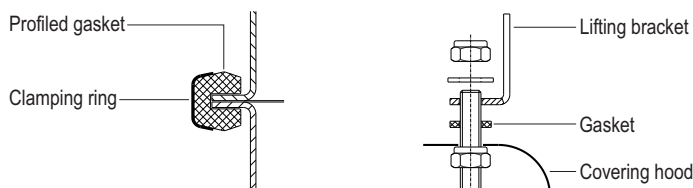
Operating instruction

The Silo-Ex-Implo-Valve protects silos and vessels from high pressure and low pressure.

Dimensions



011-0206



Use

The Silo-Ex-Implo-Valve has been mounted at the top of silos or vessel.

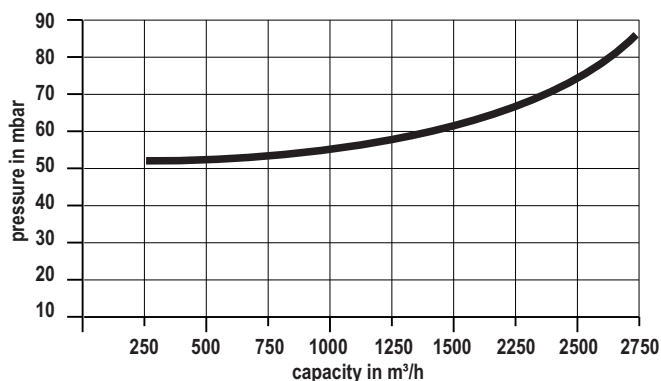
It protects against

- pneumatic filling
- Sticking of the dust precipitation filter
- Fermentation
- Temperature variations
- Condensation
- high output
- Aspiration

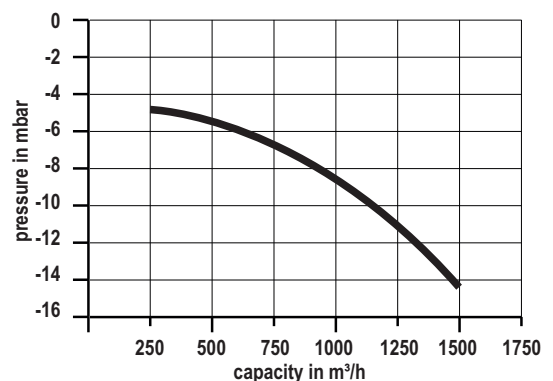
Technical data

Type	SEI-250
Materials	<p>1 Covering hood Stainless steel 1.4306 / 304 L</p> <p>2 Lifting bracket 1.4306 / 304 L</p> <p>3 Spring guidance, screws and nuts 1.4306 / 304 L</p> <p>4 Valve disc 1.4306 / 304 L and gasket white, food</p> <p>5 Corpus 1.4306 / 304 L</p> <p>6 Clamping ring 1.4306 / 304 L and profiled gasket, neopren white, food</p> <p>7 weld-in frame 1.4306 / 304 L</p>
Installation	vertical (flared-end tube horizontal)
Temperature range	T_a -25 °C ... +70 °C

Curve by overpressure



Curve by low pressure



Adjustment tables

High pressure

X mm	mbar
65	60
75	50
85	40

Low pressure

Y mm	mbar
50	12
63	9
80	5
92	2

Factory setting

High pressure	50 mbar
Low pressure	2 mbar

max. adjustable pressure

High pressure	60 mbar
Low pressure	12 mbar

1. Manufacturer data

Manufacturer	MOLLET Füllstandtechnik GmbH
Address	Industriepark RIO 103 74706 Osterburken
Name	Silo-Ex-Implo-Valve
Type	SEI-250

2. Description

2.1 Intended use

The Silo-Ex-Implo-Valve protects silos and vessels against over- and low pressure eg. by pneumatic filling or blockage of vacuum cleaning filter.

2.2 Function

If a over- or low pressure crossed the pre-set value of the valve the valve disc will open. Thereby the pressure will be released and the valve disc is closing again.

3. Installation

3.1 Preparation

- Read and follow the safety instructions and the operating instructions before starting work on the device!
- Take notice of the technical specifications on the data plate.

3.2 Mounting in the vessel and assemblage

- Weld the frame all around and dust-proof in the prepared opening in the roof of the silo or vessel.
- Remove both halves of the clamping ring from the profiled gasket.
- Put the corpus with the profiled gasket at the frame.
- Put the profiled gasket over both flared-end tubes of the frame and the corpus.
- Encircle the profiled gasket with both clamp-ring halves and tighten both screws equally.
- Put the covering cap of the 3 threaded bolts and fasten it with the attached seal rings, eyelets, washers and nuts.

3.3 Pressure adjustment

The over- and low pressure adjustment can be altered according to the **adjustment tables**.

Proceed as follow:

- Remove the eyelets and take off the covering cap.

Over pressure adjustment

- Loosen the counter nuts of the three external spring guidances and adjust the distance **X** at all springs by turning the nuts.

Low pressure adjustment

- Loosen the counter nut of the central spring guidance and adjust the distance **Y** by turning the nut.
- After the adjustment tighten the counter nuts.
- Place off the covering cap and fasten the lifting brackets.

4. Utilization

4.1 Commissioning

- Commissioning of the high and low pressure valve only when it's mounted correctly.
- Use the valve only with pressure adjustments beneath the pressure limit of the silo or vessel.

4.2 Normal operation

- Use the Silo-Ex-Implo-Valve in its intended application only.
- Follow the data on the type plate.

4.3 Inexpert handling

- Ignoring the safety instructions and operation instructions.
- Not intended use.
- Pressure adjustments above the pressure limit of the silo or vessel.
- Mounting of spare parts which are no original parts.
- Violation against applicable law and standards.

5. Maintenance and servicing

5.1 General informations

- Carry out maintenance and servicing works only when the silo or vessel is not in use and when no over- or low pressure is present.
- If it's reckon with a danger of exhausting damaging substances during the maintenance or repair special protective measures (e.g. personnel protective kits) are necessary.
- Use original spare parts only.

5.2 Maintenance

Inspect in regular intervals:

- all parts of the valve for cleanness,
- seals and springs for damage and wear and tear,
- valve discs for function,
- all screws and nuts for tight fit.

The maintenance interval is depending on the frequency of filling and emptying and also of the kind of bulk goods stored in the silo or vessel.

5.3 Servicing

- Damaged parts have immediately replaced with similar.
- The silo/vessel must not be used until the complete repairing of the valve's proper function.

6. Storage

- Store the valve dry and dust-free.
- If the valve is stored for more than 6 months the maintenance as described in point 5.2 has to be done before putting in operation.

7. Disposal

- The valve can be recycled.
- The disposal applies to the valid environmental guidelines according to the location of the user and the local manufacturing conditions.