

Operating instruction

RS485-PROFIBUS DP protocol converter (Anybus AB7000-C)
KC-AB-RS485-DP

Accessories Checklist

The following items are attached to the shipment:

- Network connector for power supply
- RS485 connection plug D-Sub, 9-pin with 120 Ω resistance
- USB-stick with GSD file and a RFID-S7 project as example

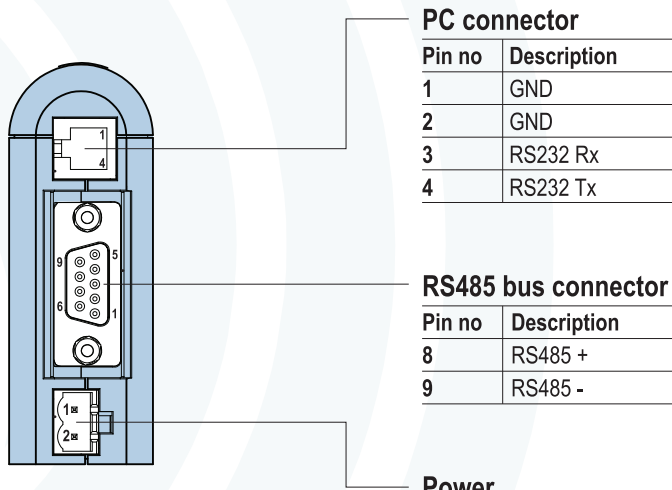
The following items are to be provided by the customer for installation:

- PROFIBUS connection plug D-Sub, 9-pin and the network cables
- 24 V DC power supply

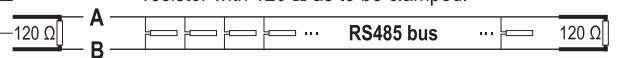
Installation and startup

- Mount the protocol converter on the DIN-rail
- Connect the protocol converter to the PROFIBUS network
- Adjust the PROFIBUS address at the switches **A** and **B**
- Connect the protocol converter to the RS485 bus
- Switch on the protocol converter (+24 V DC)
- Configure and start the PROFIBUS network
- **The protocol converter is supplied preset by MOLLET.**

Bottom view

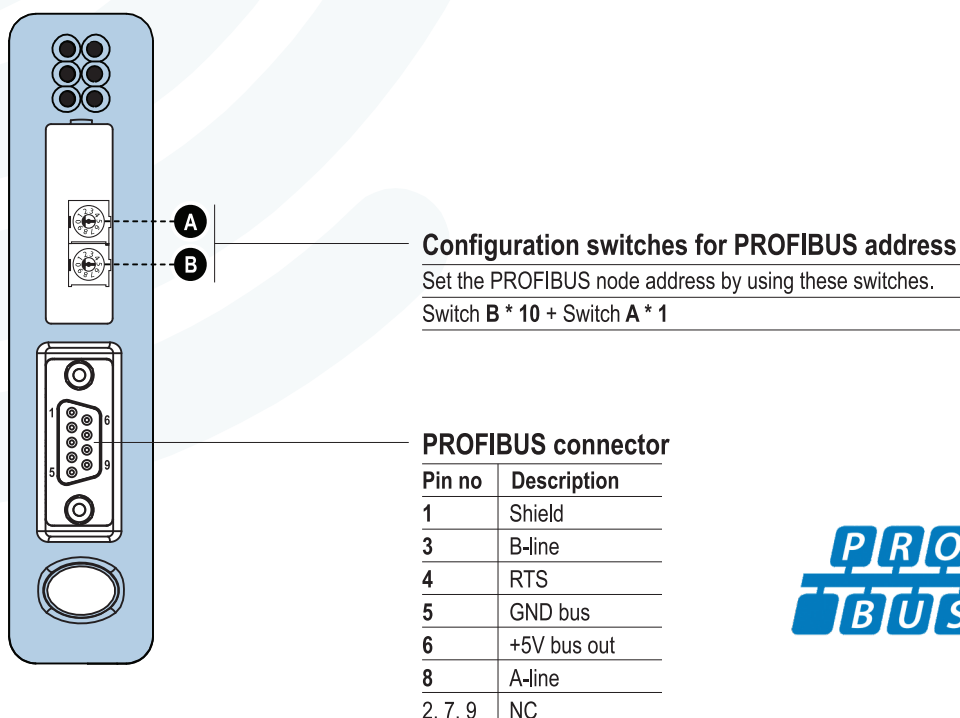


At the beginning (in the connection plug D-Sub) and at the end of the RS485 bus line the attached resistor with 120 Ω as to be clamped.

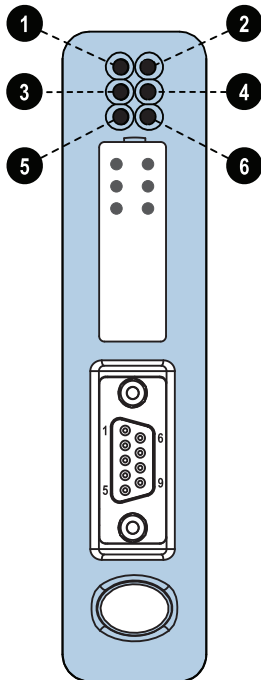


When the converter is **disconnected from the power supply** a resistance of approx. 60 Ω can be measured between **A** and **B** after successful installation.

Module front



LED indicators at module front



LED indicators

LED no	Indication	Description
1 online	green	online
	off	not online
2 offline	red	offline
	off	not offline
3 not used	---	---
4 PROFIBUS diagnostics	off	no diagnostics present
	red, flashing 1Hz	configuration error
	red, flashing 2Hz	user parameter data error
	red, flashing 4Hz	initialisation error
5 RS485 net status	flashing green	running, but one or more transaction errors
	green	running
	red	transaction error / RS485 stopped
6 device status	off	power off
	alternating red/green	invalid or missing configuration
	green	initializing
	flashing green	running
	red	bootloader mode
	flashing red	note the flash sequence pattern and contact MOLLET