

► Read and follow these safety instructions first

1. Safety instructions

- 1.1 Installation, mounting (fix into hoses), putting into operation, maintenance, removal and repair may be carried out by qualified experienced specialists with knowledge in pressurized piping construction only.
- 1.2 The statutory and other applicable regulations and standards have to be noticed and kept.
- 1.3 The pressure of maximum 10 bar, temperature of maximum +120 °C, the instructions of the
> **EC-Declaration of conformity EGKE-DG-K100**
and – if a limit switch is mounted – the instructions of the
> **Appliance information KE-GI-... resp. the technical datas of the KE-TD-..**
have to be noticed and kept.
- 1.4 Putting into operation and pressure admission only
 - after correct building-in of the hose coupling into the delivery hose
 - after correct mounting of the coupling with thread at the tube (threaded connection) and if need by fixation with the locating screw
 - with closed coupling connection

- !!! Before pressurize the tubing make sure that the couplings are correct inserted resp. connected and

with Storz-couplings

- is pulled to the limit stop

with couplings according to DIN 28 450

- the clamping ring is tightened firmly and the safety lever is folded down

with KAMLOK – couplings

- both levers are turned down to the coupling

- 1.5 **Disconnect resp. open the coupling connection only when pressure-free.**



ATTENTION ! Danger of injuries

- If loosened and opened in pressurized condition the blank coupling, blank cap resp. closing cover or closing plug will accelerate like a bullet and may cause serious injuries and damages.
- If loosened in pressurized condition the hose will lay about one and may cause serious injuries.

- !!! Before loosen resp. open the coupling connection make sure that the tubing is pressure-free.

Depending on over pressure and hose diameter place suitable warning information.

e.g. **“Loosen only in pressure-free condition”**

- 1.6 If one of the coupling elements is damaged the pressurizing has to be shut off immediately and the tubing resp. hose line is to relieve from any pressure.

- 1.7 Elements of the coupling should be removed or demounted only in pressure-free condition.

- !!! For couplings with build-in limit switch take also notice of the safety instructions on the back.

► Read and follow these safety instructions first.

2. Safety instructions for couplings with built-in limit switch

- 2.1 The installation, initial operation and maintenance may be done by a qualified expert with electrical know-how only.
- 2.2 Comply with the electrical connection take notice of the local and statutory rules and regulations and/or the VDE 0100.
- 2.3 Before electrical connection, compare the supply voltage with the details at the data plate.

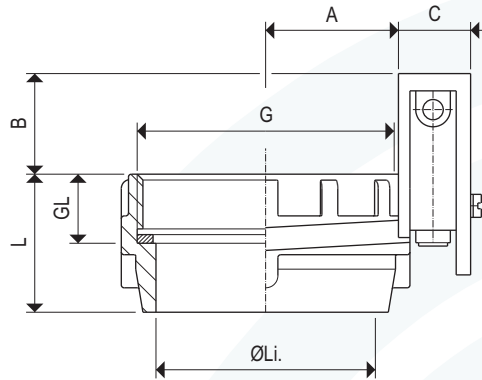
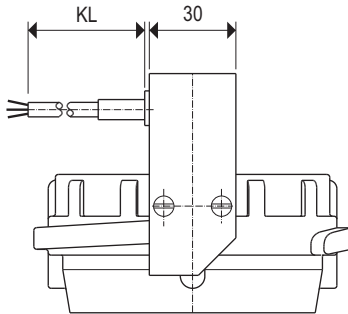
for the version KE - ...

- 2.4 A fuse (with max. 4 A) has to be connected in series to the voltage supply.
- 2.5 Protect the signal contacts from voltage peaks when inductive loads are connected.

for the version KI - ...

- 2.6 A fuse (with max. 4 A) has to be connected in series to the voltage supply.

Dimensions



007-0208

Order code

Type	NG	G	W	KL	Li.	L	GL	A	B	C
KI - VK 080	IG3	AL	3	76	47	24.5	45.7	35	25	
KI - VK 100	IG4	MS	3	95	47	24.5	58.5	35	30	

NG = Nominal size
G = Thread
W = Material
KL = Cable length
Li. = Inner diameter

According to Directive 97/23/EC for pressure equipment:
Usable for hazardous gases and liquids of group 1 up to 10 bar and up to DN 100

For example in pneumatic conveyor systems with combustible dusts etc.

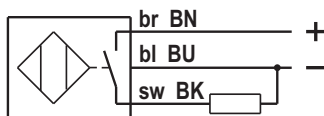
Result of the evaluation of ignition danger acc. to DIN EN 13463-1:

The couplings (without switches) have no potential source of ignition on their own.

Seal ring depending on type and acc. to data sheet KE-GI-11.

Wiring connection

Cable 3 x 0.34 mm²
Cable length (KL) 3 = 3 m
5 = 5 m
0 = 10 m



BALLUFF 356

007-AP01

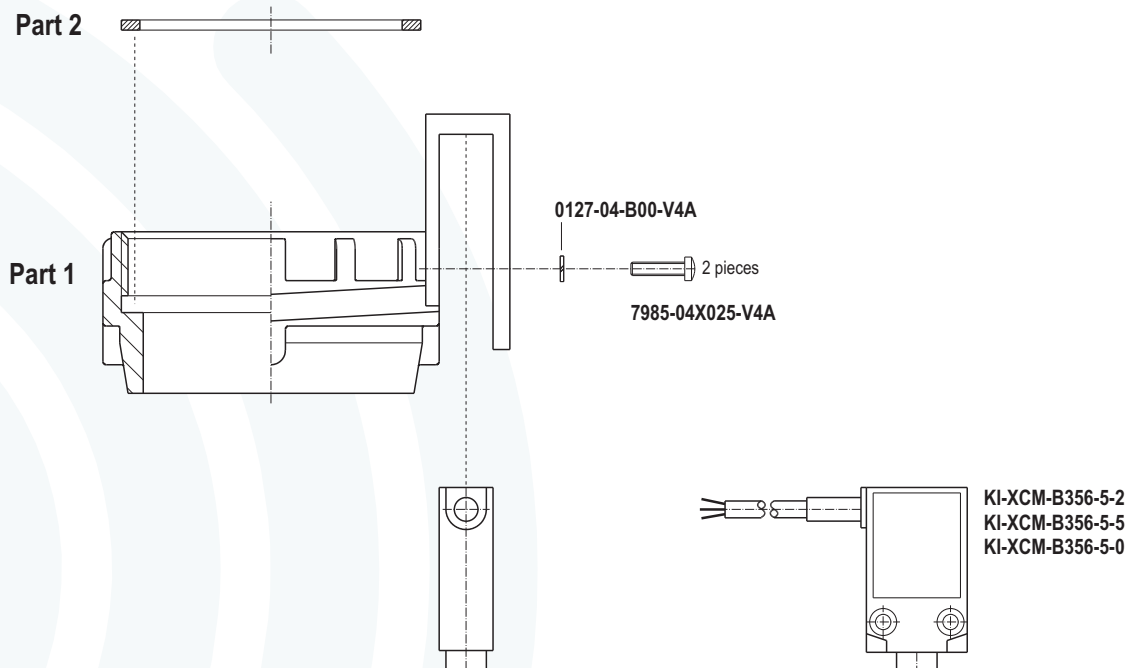
Technical data

Materials	(W)	AL = Aluminium
		MS = Brass
		VA = 1.4408 / 316
	Switch active surface	CuZn, nickel plated PA12
Mounting position		any
Ambient temperature		-20 °C ... +60 °C
Supply voltage		10 ... 30 V DC
Load current capacity		≥ 130 mA, constant current
Switching function		PNP, Normally open
Type of protection		IP68 acc. to DIN EN 60529
Maintenance		none

ATEX-Option

B0 Dust  II 3D Ex tc IIIB T90 °C

Components



007-0209

Order code Part 1

	NG	G	W	
K - FVK 080	IG3	AL	E	
K - FVK 080	IG3	MS	E	
K - FVK 080	IG3	VA	E	
K - FVK 100	IG4	MS	E	
K - FVK 100	IG4	VA	E	

incl. Seal ring

Materials	(W)	
AL	=	Aluminium
MS	=	Bress
VA	=	1.4408 / 316

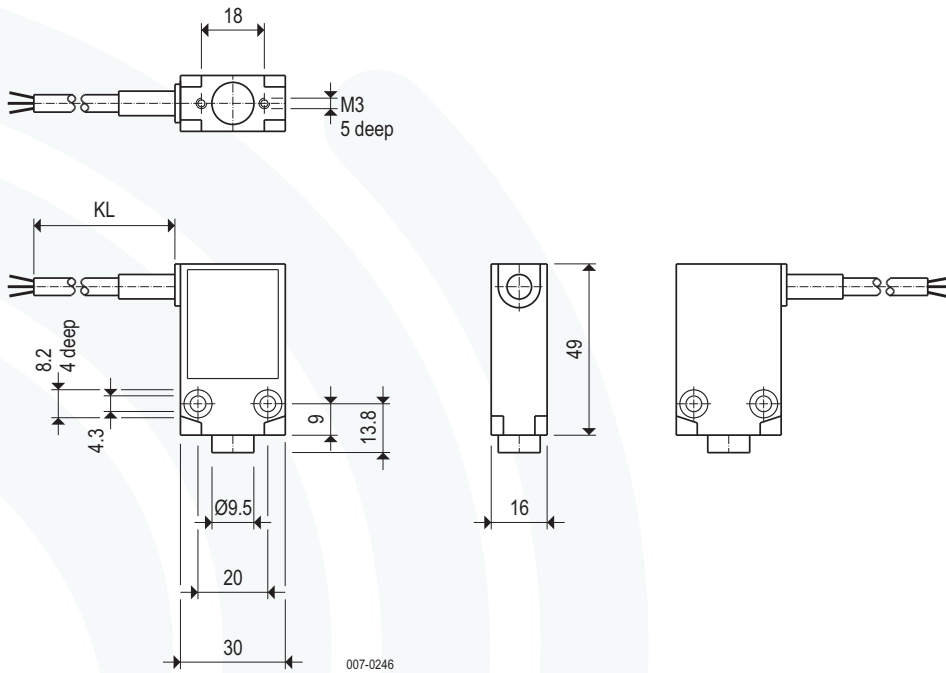
Order code Part 2

Seal ring	
VD080/077	Vulkolan, blue
VD080/077	Vulkolan, blue
TD080/077	PTFE, white
VD114/100	Vulkolan, blue
TD114/100	PTFE, white

NG = Nominal size
G = Thread
W = Material

Dimensions

KI-XCM-B356-5- .

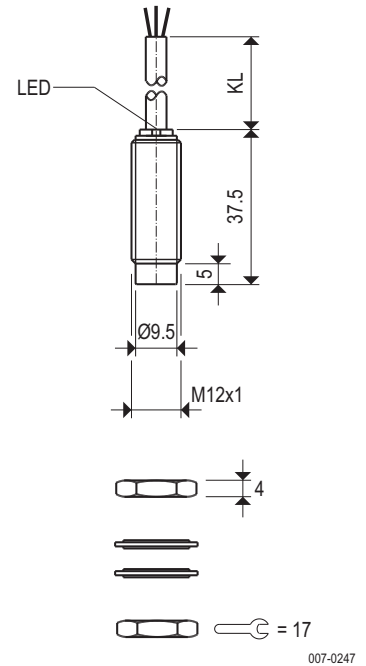


Order code

KI-XCM-B356-5-2	for 2 m cable
KI-XCM-B356-5-5	for 5 m cable
KI-XCM-B356-5-0	for 10 m cable

KI-B516-356E4- .

Brand BALLUFF
 Type BES 516-356-E4-...



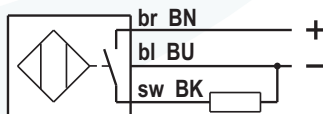
Order code

KI-B516-356E4-2	for 2 m cable
KI-B516-356E4-5	for 5 m cable
KI-B516-356E4-2	for 10 m cable

further technical data you can get under
www.balluff.de

Wiring connection

Cable	3 x 0.34 mm ²
Cable length (KL)	2 = 2 m 5 = 5 m 0 = 10 m



BALLUFF 356

007-AP01

Technical data

Materials	Switch active surface	CuZn, nickel plated PA12
	Housing	Zn-Al alloy
Varnish coating		red
Mounting position		any
Ambient temperature		-20 °C ... +60 °C
Supply voltage		10 ... 30 V DC
Load current capacity		≤ 200 mA, constant current
Switching function		PNP, Normally open
Type of protection		IP68 acc. to DIN EN 60529
Maintenance		none

ATEX-Option

B0 **Dust**  **II 3D Ex tc IIIB T90 °C**



EG-Konformitätserklärung EC-Declaration of Conformity

Wir/We

MOLLET Füllstandtechnik GmbH

Industriepark RIO 103
D-74706 Osterburken
Tel. 06291 64400 Fax 06291 9846

erklären hiermit, dass die Geräte:

declare that the devices:

Schlauch-Kupplungen mit den elektrischen Betriebsmitteln:
Endschalter, Codeträger, Lesekopf, Lesestation, Expanderkarte
der Typenreihe:

Hose couplings with the electrical equipment:
limit switch, code carrier, read head, read station,
processor unit, expander card of type:

KE ... , KI ... , KN ... , KL ... , KC ...

KE ... , KI ... , KN ... , KL ... , KC ...

auf die sich diese Erklärung bezieht, den folgenden Normen
oder normativen Dokumenten entsprechen:

to which this declaration relates is in accordance with
the following standards or other normative documents:

Richtlinie 2006/95/EG (NSR-Richtlinie)
Richtlinie 2004/108/EG (EMV-Richtlinie)

Directive 2006/95/EC (Directive LVD)
Directive 2004/108/EC (Directive EMC)

und

and

EN 61010-1, EN 60529
EN 61326-1

EN 61010-1, EN 60529
EN 61326-1

Die grundlegenden Sicherheits- und Gesundheitsanforderungen werden erfüllt gemäß den Bestimmungen der Richtlinien und durch Einhaltung der Normen soweit es im Rahmen des Lieferumfanges möglich ist.

The Essential Health and Safety Requirements are assured by compliance with the directive and observance of the normative documents, as far as the scope of delivery allows.

Osterburken, 07. Januar 2010

Osterburken, January 7th 2010



Wolfgang Hageleit

Diese Erklärung darf nur unverändert
weiterverbreitet werden.

This declaration is only allowed to
hand out in unchanged form.



EG-Konformitätserklärung EC-Declaration of Conformity

Wir/We

MOLLET Füllstandtechnik GmbH

Industriepark RIO 103
D-74706 Osterburken
Tel. 06291 64400 Fax 06291 9846

erklären hiermit, dass die Geräte:

declare that the devices:

Schlauch- und Rohr-Kupplungen der Typenreihen:

Hose and pipe couplings of type:

**K...SZ... , K...VK... , K...AVK... , K...AMK... ,
K-FSZ... , K-SSZ... , K-BSZ... , K-LSZ... ,
K-MK... , K-MB... , K-AVK... , K-AMK...**
aus Aluminium, Edelstahl oder Messing

**K...SZ... , K...VK... , K...AVK... , K...AMK... ,
K-FSZ... , K-SSZ... , K-BSZ... , K-LSZ... ,
K-MK... , K-MB... , K-AVK... , K-AMK...**
made of aluminum, stainless steel or brass

DN 32 bis DN 100

DN 32 to DN 100

auf die sich diese Erklärung bezieht, den folgenden Normen
oder normativen Dokumenten entsprechen:

to which this declaration relates is in accordance with
the following standards or other normative documents:

Richtlinie 97/23/EG (Druckgeräte-Richtlinie)

Directive 97/23/EC (Directive Pressure Equipment)

Die grundlegenden Sicherheits- und Gesundheitsanforderungen werden erfüllt gemäß den Bestimmungen der Richtlinie.

The Essential Health and Safety Requirements are assured by compliance with the directive.

Einstufung:
Druckhaltendes Ausrüstungsteil der Kategorie I

Categorization:
Pressure accessories of category I

Fluidgruppe (Art. 9):
1

Fluid group (Art. 9):
1

Mediumzustand:
gasförmig, flüssig und staubhaltig, wenn pD >0,5 bar

Condition of fluid:
gaseous, liquid and dusty, if pD >0,5 bar

Angewandetes Konformitätsverfahren:
Modul A

Applied conformity assessment procedures:
Modul A

Diese Konformitätserklärung ist nur gültig in Verbindung mit den aktuellen Sicherheitshinweisen KE-SH- ..

The declaration of conformity is only valid in connection with our current safety instructions KE-SH- ..

Osterburken, 07. Januar 2010

Osterburken, January 7th 2010



Wolfgang Hageleit

Diese Erklärung darf nur unverändert
weiterverbreitet werden.

This declaration is only allowed to
hand out in unchanged form.

Hersteller-Bescheinigung Manufacturer`s Certificate

Wir/We

MOLLET Füllstandtechnik GmbH

Industriepark RIO 103
D-74706 Osterburken
Tel. 06291 64400 Fax 06291 9846

bescheinigen hiermit, dass die Geräte:

declare that the devices:

Schlauch- und Rohr-Kupplungen der Typenreihen:

Hose and pipe couplings of type:

**K...SZ... , K...VK... , K...AVK... , K...AMK... ,
K-FSZ... , K-SSZ... , K-BSZ... , K-LSZ... ,
K-MK... , K-MB... , K-AVK... , K-AMK...**

aus Aluminum, Edelstahl oder Messing

**K...SZ... , K...VK... , K...AVK... , K...AMK... ,
K-FSZ... , K-SSZ... , K-BSZ... , K-LSZ... ,
K-MK... , K-MB... , K-AVK... , K-AMK...**

made of aluminum, stainless steel or brass

DN 101 bis DN 150

DN 101 to DN 150

auf die sich diese Bescheinigung bezieht, den folgenden
Normen oder normativen Dokumenten entsprechen:

to which this certificat relates is in accordance with
the following standards or other normative documents:

Richtlinie 97/23/EG (Druckgeräte-Richtlinie)

Directive 97/23/EC (Directive Pressure Equipment)

Die grundlegenden Sicherheits- und Gesundheitsan-
forderungen werden erfüllt gemäß den Bestimmungen
der Richtlinie.

The Essential Health and Safety Requirements are assured
by compliance with the directive.

Einstufung:

Druckhaltendes Ausrüstungsteil nach Art. 3 Abs. 3

Categorization:

Pressure accessories of acc. Art.3 (3)

Fluidgruppe (Art. 9):

2

Fluid group (Art. 9):

2

Mediumzustand:

gasförmig oder flüssig, wenn pD >0,5 bar

Condition of fluid:

gaseous or liquid, if pD >0,5 bar

Angewendetes Konformitätsverfahren:

keines, es gilt die gute Ingenieurspraxis

Applied conformity assesment procedures:

none, accordance with the sound engineering practice

Diese Hersteller-Bescheinigung ist nur gültig in Verbindung
mit der aktuellen Sicherheitshinweisen KE-SH- ..

The manufacturer`s certificate is only valid in connection
with our current safety instructions KE-SH- ..

Osterburken, 07. Januar 2010

Osterburken, January 7th 2010



Wolfgang Hageleit