

**Vibro level indicator**  
Level limit switches for bulk goods

**VF6.**


**Operating instruction**

**Mini vibration rod**  
real single rod - compact and versatile

Index	Page
Safety instructions   Use of the device .....	02
Data of manufacturer   Receiving department and storage   Application   Function .....	03
Information for use   Technical data   Electrical data .....	03
Versions/Dimensions .....	04
Possibilities for installation   Protection against bulk solids crashing down .....	05
Flush installation   Protection against heavy load   Protection against moisture .....	06
Allowed temperatures   Bulk solids temperature up to 150 °C .....	06
Electrical connection   High alarm/low alarm   Setting of sensitivity .....	07
Maintenance   Disposal   Returns .....	07

- Please, read and obey these safety instructions and the complete operating manual.

## 1. Safety instructions

- 1.1 The installation, initial operation and maintenance must be done by a qualified expert with electrical know-how.
- 1.2 Check before installation whether the measuring device is in compliance with the specification of the point of measurement as process and ambient temperature as well as the measuring range.
- 1.3 Use in potentially explosive atmospheres only devices with  - identification marking.
- 1.4 For the electrical connection take notice of the local and statutory rules and regulations and/or the VDE 0100.
- 1.5 Consider the data of the name plate on the device.
- 1.6 A fuse (max. 4 A) and a main switch have to be connected in series to the voltage supply.
- 1.7 Switch off the voltage supply before you open the measuring device (dangerous voltages in case of contact).
- 1.8 Check the cable entry, cable gland and clamping nut, to see if they are sitting correctly and are sealed.
- 1.9 Put the device into operation only when the unit is closed and the cover sealing is intact.
- 1.10 Changes and repairs of the device are allowed only in so far as it is permitted in the operating instructions.

-  Prior to the use of the device in potentially explosive atmospheres please, read and obey the

## Special conditions and guidance for safe use

in the attached

## Explosions protection information

and observe the operating instruction.

## 2. Use of the device

### 2.1 Intended use

- The device is used as a level limit switch for bulk solids in silos, bins and so on.

### 2.2 Normal operation

- Please operate the measuring device only according the intended use.
- Use the measuring device only within the specified temperature ranges for process and ambience.
- Protect the electronics compartment against pollution.
- In case the measuring device becomes damaged, please stop operation immediately.

### 2.3 Improper use

- Ignoring safety regulations and operating instruction.
- Operation of the measuring device in inappropriate use.
- Installation of spare parts that are no original parts.
- Removal, addition or modification of components as far as it is not described in the documentation of the manufacturer.
- Violation of applicable standards and laws.

### 3. Data of manufacturer

Manufacturer	<b>MOLLET Füllstandtechnik GmbH</b>
Address	Industriepark RIO 103 74706 Osterburken Germany
Name of part	<b>MOLOSvibro Vibro level indicator</b>
Type	<b>VF6 ...</b>

### 4. Receiving department and storage

#### 4.1 Receipt of goods

- Please check whether packaging or content are damaged.
- Please check whether the supplied goods are incomplete or do not comply the requirements as set out in your order.

#### 4.2 Storage

- For storage and transportation the measuring device has to be packed shock-resistant.
- Store the device at a place protected against moisture and dust.
- Take care that the probe will not be bended.
- **Temperature range for storage** -40 °C ... +85 °C

### 5. Application (intended use)

The **MOLOSvibro** of the **VF6.** series is intended for the use as **level limit switch** in **silos and vessels.**

For all bulk solids with a minimum density of **0.02 t/m<sup>3</sup>.**

For application in **all industry sectors.**

### 6. Function

- Oscillation of the mini vibration rod with a resonance frequency of approx. 460 Hz is stimulated by the electronic.
- As soon as the vibration rod has been covered by bulk solids, the oscillation will be damped.
- The electronic detects the damping and switches the relay signal.
- If the filling level sinks below the vibration rod, the rod starts vibrating with its resonance frequency again and the relay switches back.

### 7. Information for use

Please obey the following for the use of the Vibro level indicator:

- Switch point dependent of bulk density (t/m<sup>3</sup>; kg/l):
  - with heavy bulk solids only the tip of the rod has to be covered for damping the vibration.
  - with light bulk solids the complete rod has to be covered for damping the vibration.
- In order to keep the ambient temperature of the PCB below +60°C please
  - protect the housing from direct sunlight by installing a sun shield.
  - protect the housing against temperature transfer from the silo in cases the process temperature exceeds 60°C by installation of a heat barrier between the enclosure and the bin wall or use the high temperature option E1.
- The measuring device must not be mounted in or near the filling stream. The falling bulk solids could damage the probe.

### 8. Technical data

<b>Material</b>	Round-housing Process connection and probe Mini vibration rod Suspension cable sheath	Aluminium coated, RAL7001 Stainless steel 1.4301 / 304 Stainless steel 1.4301 / 304 Polyurethane
<b>Process connection</b>	<b>R1</b>	R1 EN 10226 or N1 1" NPT
<b>Ambient temperature</b>		-20 °C ... +60 °C <b>T<sub>a</sub></b>
<b>Process temperature</b>	<b>VF62 and VF63</b> <b>VF65</b> High temperature <b>E1</b>	-20 °C ... +80 °C -20 °C ... +70 °C -20 °C ... +150 °C <b>T<sub>(Process)</sub></b>
<b>Process pressure</b>		-0.95 bar ... 10 bar <b>p<sub>(Process)</sub></b>
<b>Minimum density of bulk solids</b>		0.02 kg/l (t/m <sup>3</sup> )
<b>Response delay</b>	<b>for damping</b> <b>for start oscillation</b>	<b>1 second</b> <b>2 to 5 seconds</b>
<b>Cable entry</b>		Gland 2 x M16x1,5
<b>Type of protection</b>		<b>IP66/IP67</b> acc. DIN EN 60529 <b>IP</b>
<b>Maintenance</b>		none
<b>Maximum load for the end of the vibration rod</b>		80 N
<b>Maximum tensile force at suspension cable of type VF65</b>		2000 N
<b>Installation position</b>	<b>VF62, VF63</b> <b>VF65</b>	any vertical

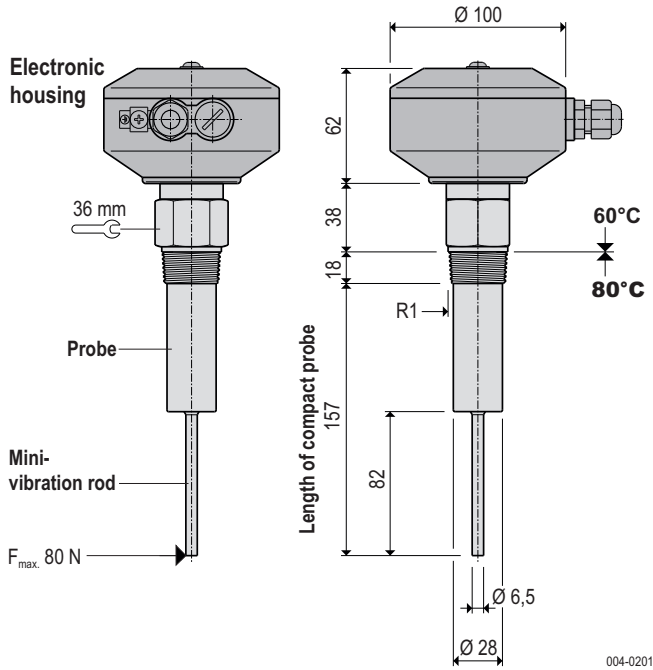
### 9. Electrical data

#### Wide range electronic C8

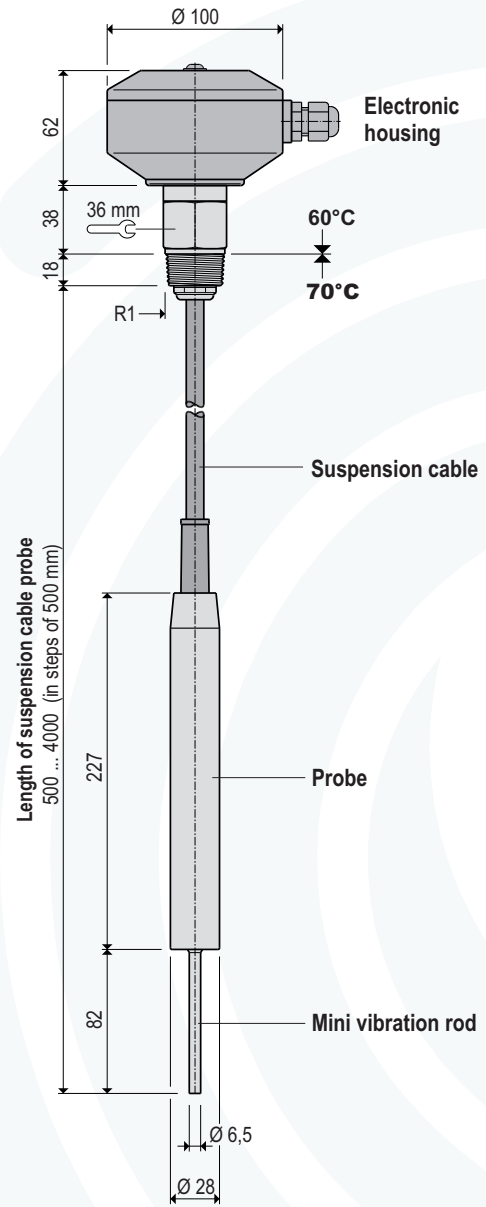
<b>Supply voltage</b>	20 ... 250 V AC / DC	<b>supply</b>
<b>Power consumption</b>	≤ 3 VA / 3 W	
<b>Signal relay</b>	potential free change-over-contact (SPDT)	
<b>Capacity of contact</b>	5 A / 250 V AC or 150 W at DC	
<b>Connection clamps</b>	maximum 1.5 mm <sup>2</sup>	

10. Versions/Dimensions

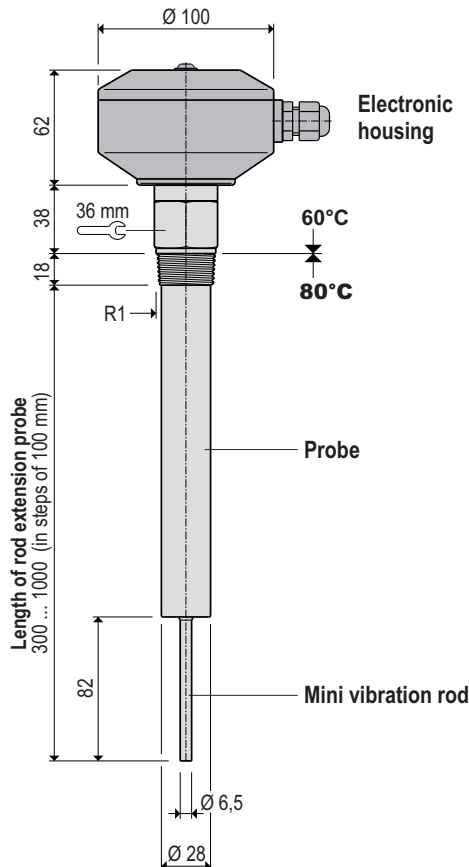
10.1 VF62 Compact sensor



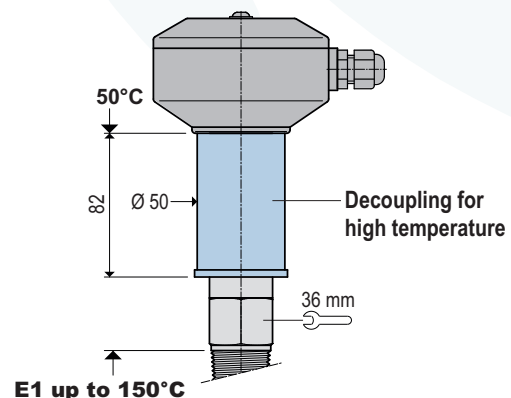
10.3 VF65 Suspension cable sensor



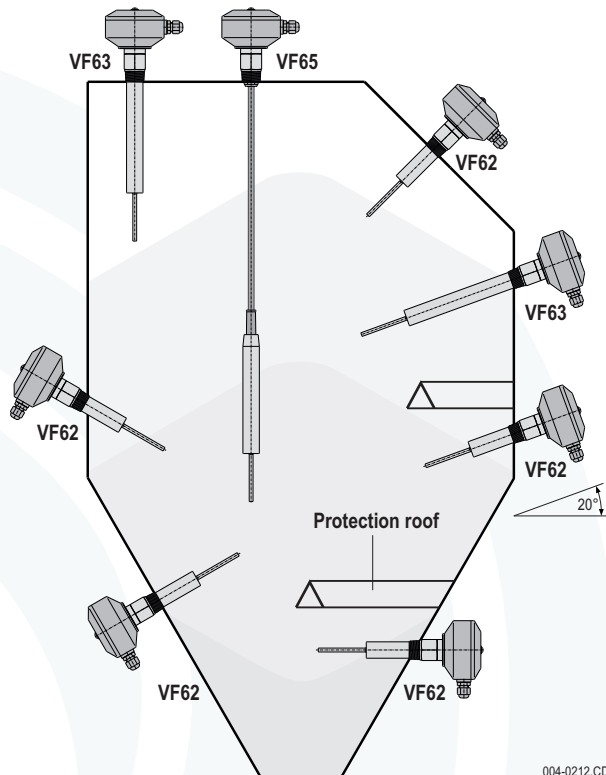
10.2 VF63 Rod extension sensor



10.4 E1 High temperature up to 150 °C



### 11. Possibilities for installation



#### Side mounting or vertical mounting:

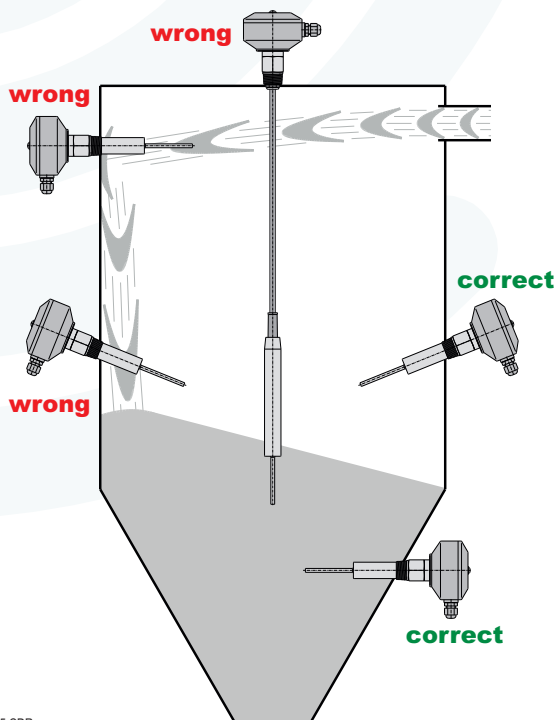
- VF62 and VF63 can be mounted either from the side or vertical.
- For side mounting it is recommended to screw the measuring device slightly downwards (approx. 20°) so that bulk solids can flow off.
- The measuring device has to be mounted in such a way that the filling stream cannot damage it.
- In case the filling stream reaches the probe nevertheless, it has to be protected by a suitable protection roof.
- If the probe is used as empty indicator in the lower area of bins/silos with heavy bulk solids, a protection roof has always to be installed.
- VF65 is suitable for top mounting only.
- A suitable sealing, (like Teflon tape), must be applied onto the thread and the VF has to be screwed into the provided socket with a 36 mm open end wrench.

**Attention: Do not screw by turning the housing!**

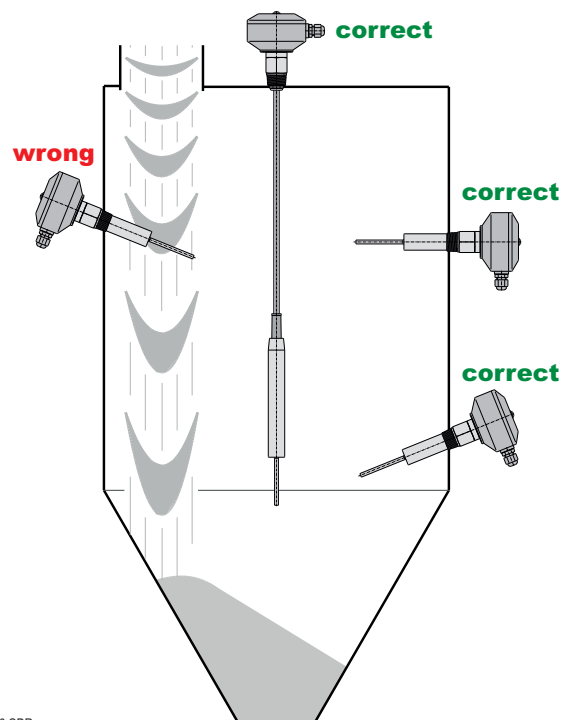
004-0212.CDR

### 12. Protection against bulk solids crashing down upon the rod

Level indicators must not be affected by flying bulk goods particles e.g. from injection pies, filling pipes or down pipes. Therefore the bulk solids stream should be directed or redirected accordingly, or the level indicator should be placed so that bulk solids cannot impact directly onto the probe and vibration rod.



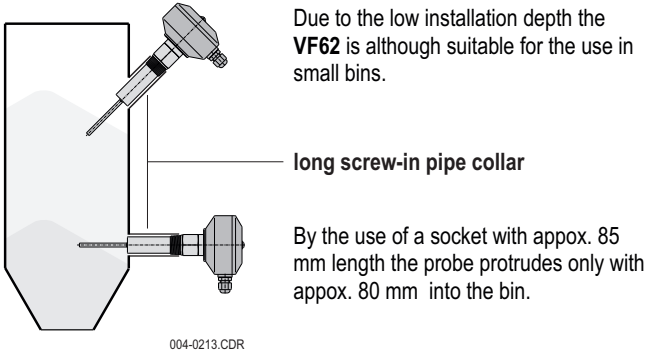
004-0215.CDR



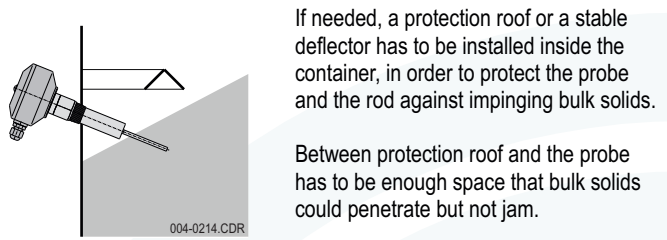
004-0216.CDR

Subject to modification.

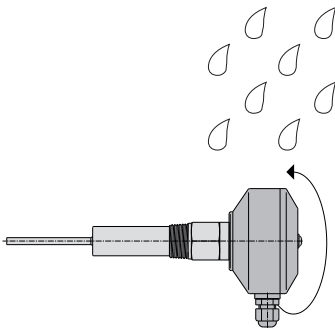
### 13. Flush installation



### 14. Protection against heavy load



### 15. Protection against moisture by alignment of cable glands



The cable glands must always point downwards to prevent moisture seeping inside the housing. If the housing is not in the correct position after the probe has been firmly screwed into the bin wall, proceed as follows:

- remove the screw in the middle of the cover (4 mm Allen key) and open the housing.
- resolve the spacer nut M6 in the center of the enclosure (10 mm wrench) a little bit until the enclosure is turnable.
- turn the housing into the correct position so that the cable glands are pointing downwards.
- tighten the spacer nut M6 again, torque 3 to 4 Nm.
- put on the housing cover and tighten the screw, torque 3 Nm.

**Cable ducts which are not used have to be sealed!**

### 16. Allowed temperatures

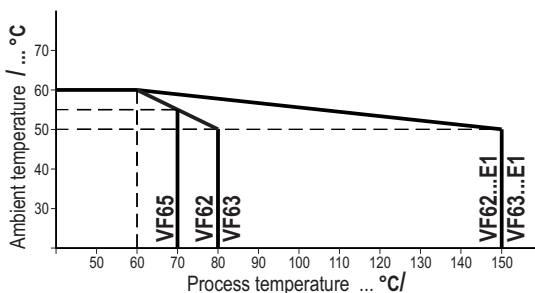
Ambient temperature at the probe (process temperature)  $T_{(process)}$  **-20°C ... +80°C**

Ambient temperature at the electronic housing  $T_a$  **-20°C ... (+50°C) +60°C**

Due to the process temperature of 80 °C reduced maximum allowed ambient temperature at the electronic housing

Maximum allowed ambient temperature at the electronic housing is dependent of the process temperature.

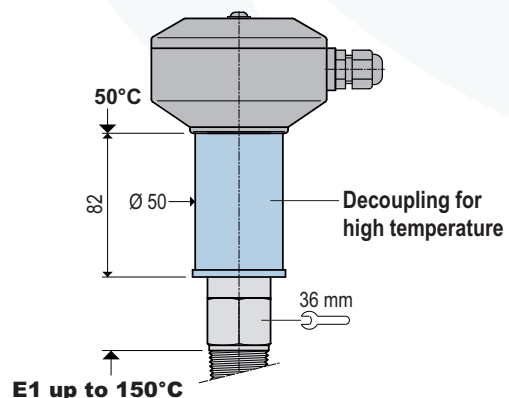
(see diagram)



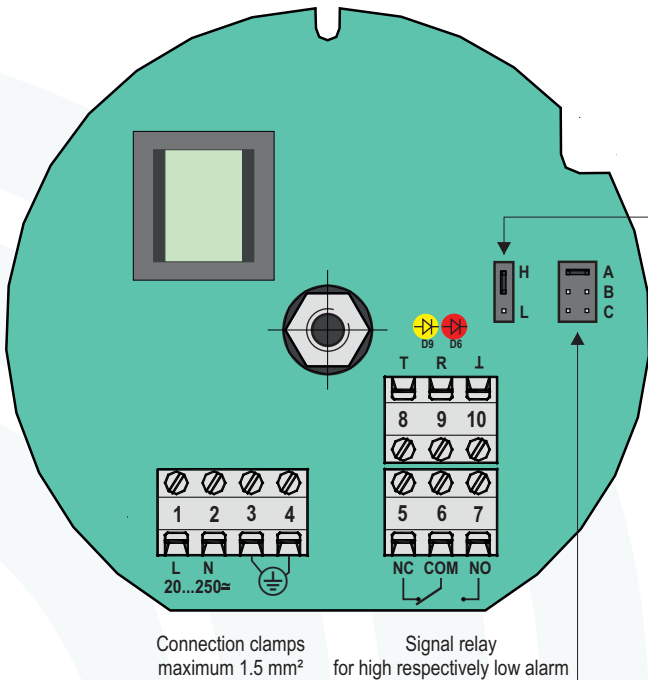
### 17. Bulk solids temperatures up to 150 °C

The high temperature option **E1** enables the use of the level indicators for bulk solids temperatures up to 150 °C.

- in order to protect the electronic against overheating by heat transfer from the process, a decoupling for high temperature **E1** is installed between probe and electronic housing.
- use for process temperatures above 80 °C only level indicators with the high temperature option **E1**.
- due to high process temperatures the maximum allowed ambient temperature at the electronic housing is reduced (see diagram)
- please mind for exchange of electronics that only PCBs with the marking „Special Model HT“ may be used.



## 18. Electrical connection Wide range electronic C8



## 19. High alarm and low alarm sensor

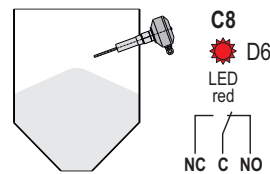
MOLOSvibro level indicator of the VF6. series can be used for **high level and low level alarm**.

- The function can be adjusted with a jumper on the electronic board.
- The switching status is indicated by a red LED on the electronic board, like it is explained below.

### 19.1 High alarm sensor H (factory setting)

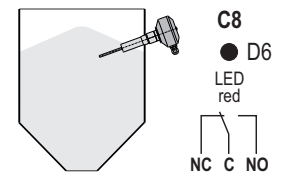
**free status**

vibration rod oscillates freely  
C8 relay energized / red LED on



**High alarm (covered status)**

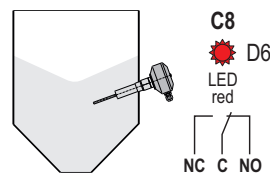
vibration rod covered with bulk solids  
C8 relay de-energized / red LED off



### 19.2 Low alarm sensor L (jumper repositioned)

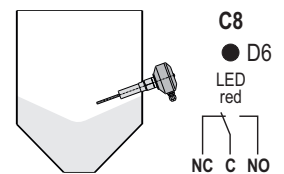
**Covered status**

vibration rod covered with bulk solids  
C8 relay energized / red LED on



**Low alarm (free status)**

vibration rod oscillates freely  
C8 relay de-energized / red LED off



## 20. Setting of sensitivity

Adjustment by jumper at **A - B - C**

- Position A:** highest sensitivity level for light bulk solids with a density above 0.02 kg/l
- Position B:** standard sensitivity level (factory setting) sufficient for most bulk solids.
- Position C:** lowest sensitivity level for heavy materials with high densities which may form a deposit on the vibrating rod.  
Light materials can not be detected at this setting!

## 21. Maintenance

The Vibro level indicators require no maintenance.

- For applications with materials that are a little bit sticky we recommend to clean the vibrating blade of the instrument in certain periods of time.
- If the instruments are exposed to corrosive atmosphere, they must be inspected in certain periods of time regarding corrosion of probe and enclosure in order to ensure the tightness of the instruments.

## 22. Disposal

- Level indicator **VF** can be recycled.
- Disposal of the **VF** is subject to the environmental legislation of the respective country in effect for the operator's premises.

## 23. Returns

**23.1** Remove all adherent material residues of filling material from the measuring device. Be aware of seal grooves and cracks where material residues could stick.

**In particular if the bulk goods or liquids has been dangerous to health, e. g. flammable, toxic, caustic or cancer-producing.**

**23.2** Furthermore please state:

- Chemical and physical characteristics of the bulk goods or liquid
- Description of the application
- Description of the failure occurred
- Operating time of the measuring device.

## EU-Konformitätserklärung EU-Declaration of Conformity

Wir/We

**MOLLET Füllstandtechnik GmbH**

Industriepark RIO 103  
D-74706 Osterburken  
Tel. 06291 64400 Fax 06291 9846

erklären in alleiniger Verantwortung, dass das Produkt:  
declares under our sole responsibility, that the product:

**Vibro-Füllstandanzeiger / Vibro level indicator**  
Schwingstab-Füllstandanzeiger / Vibration rod level indicator

Typ/Type **VF ...**



den folgenden Europäischen Richtlinien entspricht:  
conforms with the following European directives:

<b>EMV-Richtlinie</b>	<b>EMC directive</b>	<b>2014/30/EU</b>
<b>Niederspannungsrichtlinie</b>	<b>Low voltage directive</b>	<b>2014/35/EU</b>

Angewandte harmonisierte Normen oder normative Dokumente:  
Applied harmonized standards or normative documents

**DIN EN 61326-1:2013**

**DIN EN 61010-1:2020**

Und die Geräte mit  - Kennzeichnung entsprechen zusätzlich der folgenden Europäischen Richtlinie:  
And the devices with  - marking conform additional with the following European directive:

<b>ATEX-Richtlinie</b>	<b>ATEX directive</b>	<b>2014/34/EU</b>
------------------------	-----------------------	-------------------

Je nach Ausführungsvariante angewandte harmonisierte Normen oder normative Dokumente:  
Depending on the design applied harmonized standards or normative documents:

**DIN EN IEC 60079-0:2019**

**DIN EN 60079-31:2014**

EG-Baumusterprüfbescheinigungsnummer:  
EU-Type Examination Certificate:

**IBExU19ATEX1052**

Ausgestellt von:.  
Issued by:

IBExU Institut für Sicherheitstechnik GmbH, 09599 Freiberg (0637)

Qualitätssicherung:  
Quality assurance:

TÜV NORD CERT GmbH, 30159 Hannover (0044)

Osterburken, den 20.03.2021



  
Wolfgang Hageleit  
Geschäftsführer / managing director

Diese Erklärung darf nur unverändert weiterverbreitet werden.  
This declaration is only allowed to hand out in unchanged form.