

► Please, read and follow these safety instructions first and take notice of the operating instructions.

Safety instructions

1. The installation, initial operation and maintenance may be done by a qualified expert with electrical know-how only.
2. The connection of the single components as like as measuring blade, anti-buckling protection, shaft extension are permissible only with the attached pins.
3. For the electrical connection take notice of the local and statutory rules and regulations and/or the VDE 0100.
4. Before electrical connection compare the supply voltage with the details at the data plate.
5. A fuse (with max. 4A) has to be connected in series to the voltage supply.
6. Protect the signal contacts from voltage peaks when inductive loads are connected.
7. The device may put into operation if it is closed, only.
8. Switch off the power supply, before opening the device. (touchdangerous voltage)

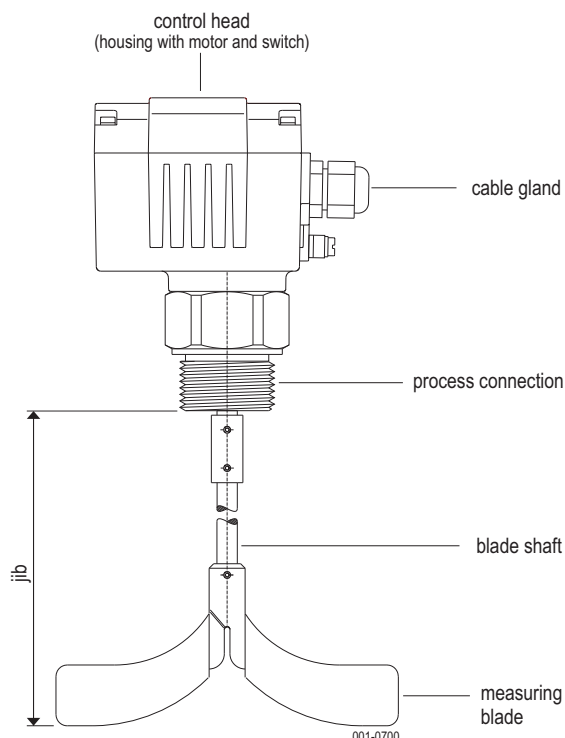
Operating instructions

1. Description

1.1 Intended use

The electromechanical level limit switch is monitoring the filling level of bulk goods in silos, bunkers, containers, hoppers, weighers, etc..

1.2 Construction



1.3 Function

The rotating measuring blade, projecting into the silo or container, is driven by a gearmotor.

If the bulk material is reaching the measuring blade, the rotation will be hindered and it will be stopped.

The return torque turns the pivoted motor from its end position and actuates the signal switch.

A second switch turns the motor off.

If the filling level of the bulk material sinks, the blade becomes freely again and a spring will turn the motor back into its original end position.

Thereby the motor will be turned on again and the signal switch will be switched back.

1.4 Technical data

Manufacturer	MOLLET Füllstandtechnik GmbH
Address	Industriepark RIO 103 74706 Osterburken
Name	rotary blade level indicator
Type	DF
Bulk goods temperature	T_s -25 °C ... +80 °C
Ambient temperature	T_a -20 °C ... +70 °C
Pressure range	p -0,5 bar ... +1 bar
Measuring blade speed	1 U/min
Response delay	approx. 1.20 sec.
Maintenance	none

1.5 Materials

Housing	aluminium
Process connection	aluminium
Blade shaft	stainless steel 1.4301
Measuring blade	stainless steel 1.4301
Measuring blade TK	plastics

2. Installation

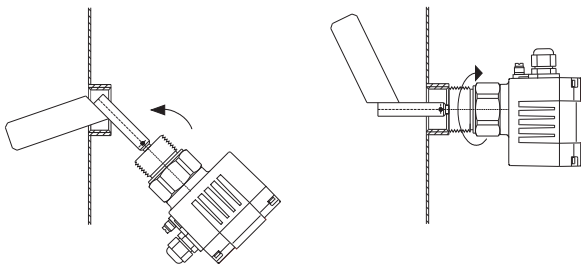
2.1 Preparation

- Read and follow the safety instructions and the operating instructions before mounting the device!
- Inspect if the delivery is complete.
The delivery volume is different, depending on the options.

2.2 Mounting

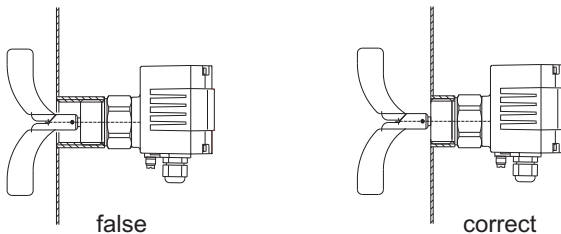
Thread connection

Put the level indicator together with the sealing at the provided position in the silo or container wall and screw it tightly by means of appropriate tools.

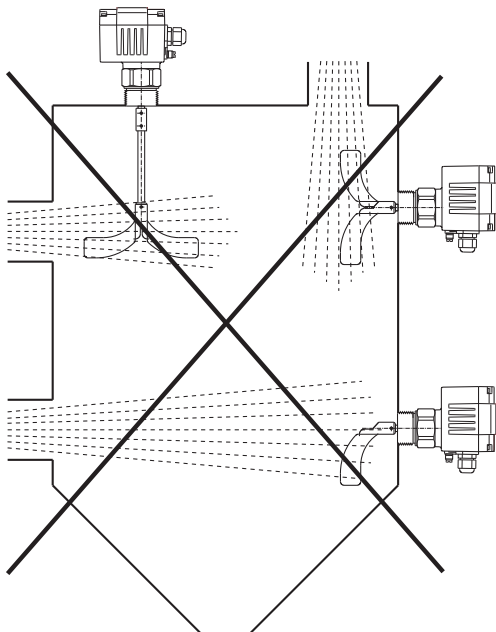


Attention!

Bulk goods must not have any possibility to deposit in the thread socket.



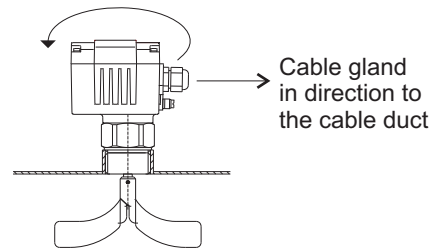
The level indicator has to be installed in this way that the jib won't be hit by the filling stream of incoming bulk goods.



001-0700

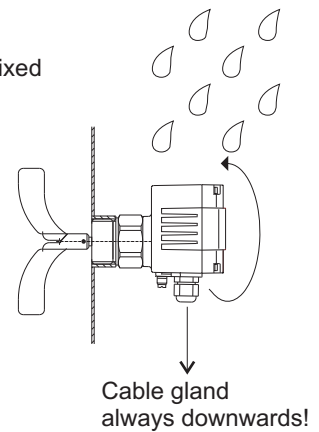
2.3 Orientation of the housing

After mounting, the housing has to be orientated by turning in such way, that in case of vertical mounting the cable gland is directed towards the cable duct.
In case of all the other mounting positions the cable gland has to be directed vertical to the bottom.



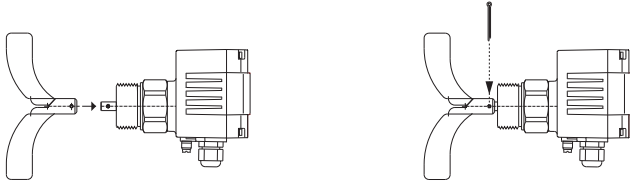
Attention!

Ensure that the cable is fixed tightly in the cable gland.



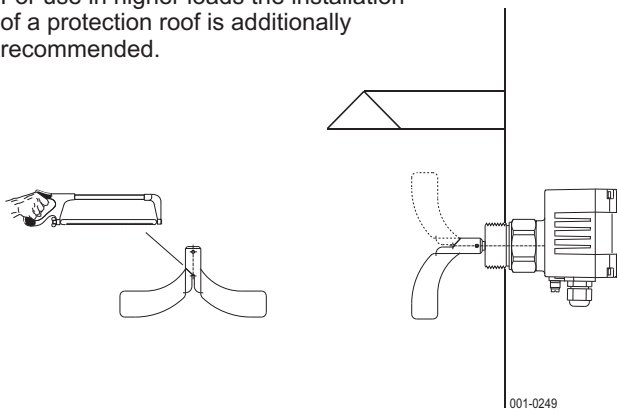
3. Mounting of the measuring blades

TK Blade

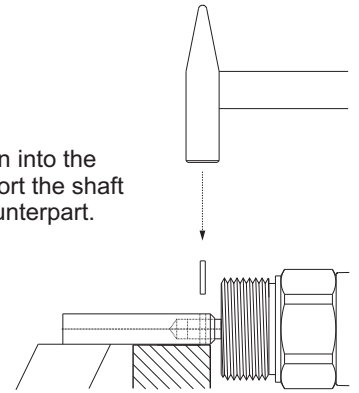


For use as an empty indicator it is recommended sawing off the plastic blade on one side, along the groove.

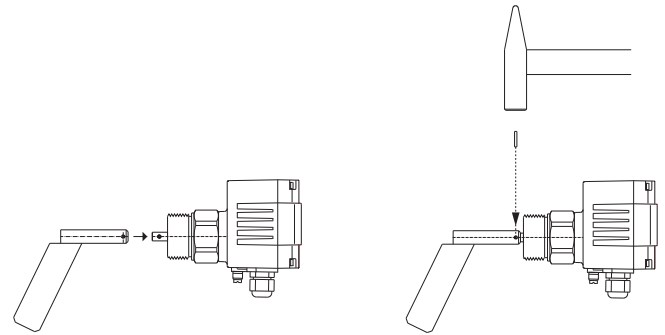
For use in higher loads the installation of a protection roof is additionally recommended.



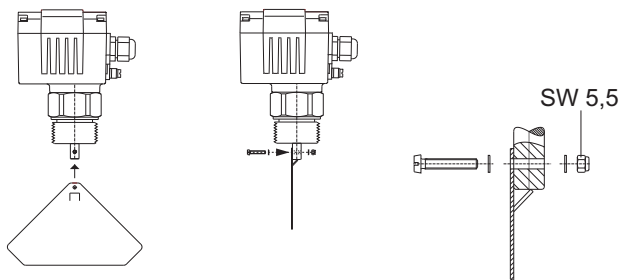
Attention!
During beating the pin into the shaft, you have to support the shaft with an adequate counterpart.



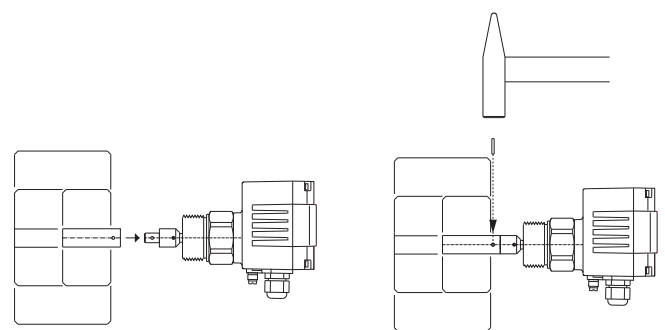
S1 Socket blade



TD Blade

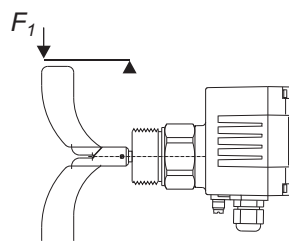


X Blade



4. Loadability of the measuring blades

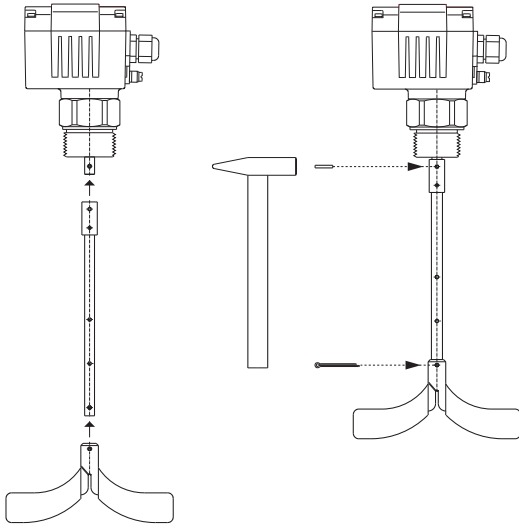
F_1 max. **50 Nm**



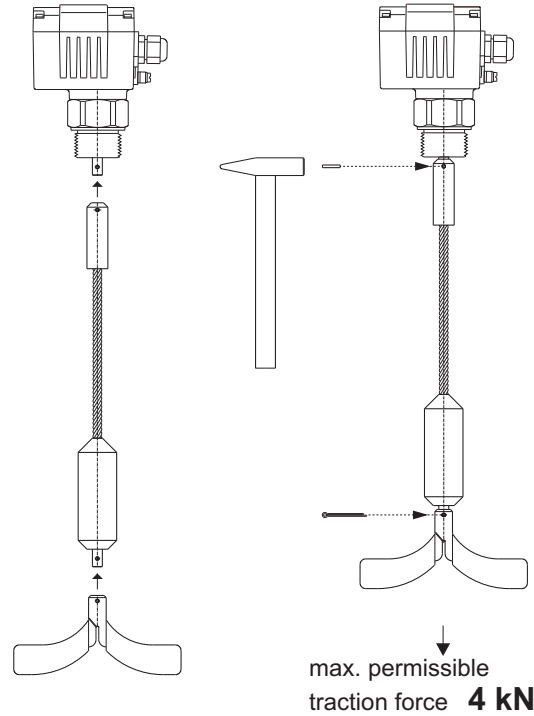
001-0702

5. Mounting of the jib extension

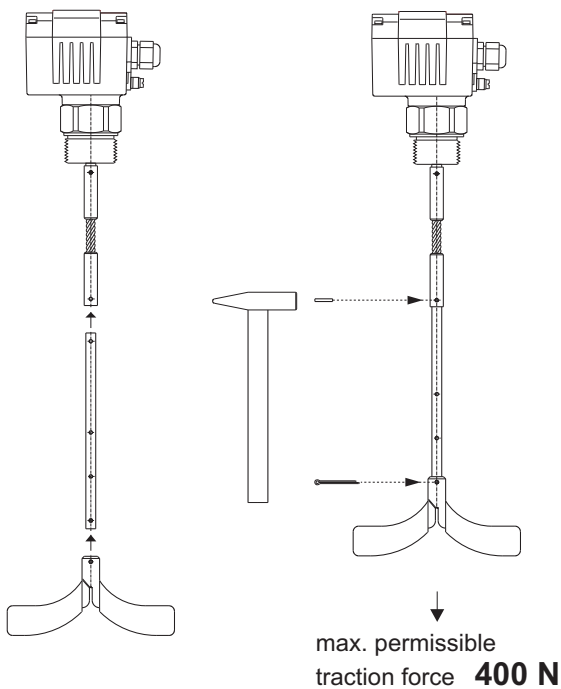
W1 Fixed shaft



W6 Rope shaft



W3/W4 Pendulum shaft



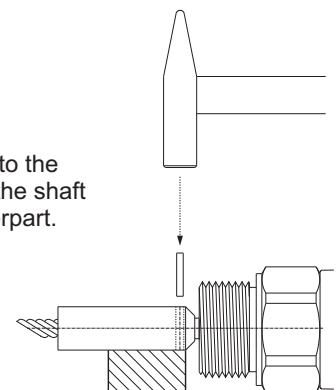
Rope shortening

You can short the rope individually when demanded.

- Open the attachment screws at the tensioning weight and pull the tensioning weight off the rope.
- A tape has to be wrapped round the desired cutting position of the rope, to protect the wire from branching wire pieces.
- Wear goggles while cutting the rope with a cable scissors or an angular grinding machine.
- Remove the tape and mount the tensioning weight at the end of the rope.

Attention!

During beating the pin into the shaft, you have to support the shaft with an adequate counterpart.



6. Electrical connection

6.1 Electrical data

Supply voltage	see data plate
Power consumption	Supply AC 4 VA DC 4 W
Cable entry	cable gland M20 x 1.5
Type of protection	IP IP 66 acc. to DIN 60529
Connection clamps	max. 1.5 mm ²
Signal contact	Contact change-over contact potentialfree
Switching voltage	4 V DC ... 250 V AC
Capacity of the contact	1mA ... 2A

The signal contact is a multivoltage and multicurrent switch. It is suitable for use in circuits with low currents and low voltages as well as for medium currents with control voltages up to 250 V ~AC.

Caution!

During the whole working life, the switch may be used in the same kind of circuit types, only. When the switch has been used once with medium switching capacity, it cannot be used any more for the low switching capacity.

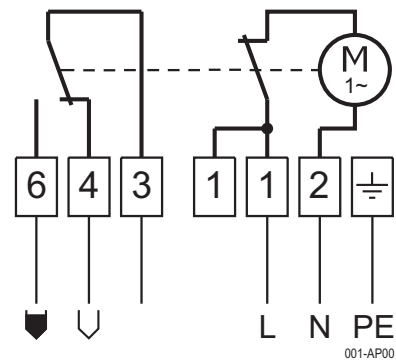
6.2 Electrical connection

- Install the wiring and electrical connection in compliance with the circuit diagrams.
- Run the cable between housing and cable protection, in order that the switches and the motor will not be hampered at their necessary movement.
- After the electrical connection the cap nut of the cable gland has to be screwed and please ensure that the cable is fixed strongly and tightly in the cable screwing.

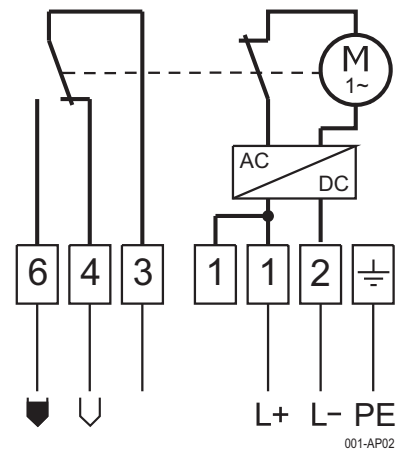
Attention!

Wiring of the level indicator in a way that no undesirable switching function can occur in case of mains voltage failure.

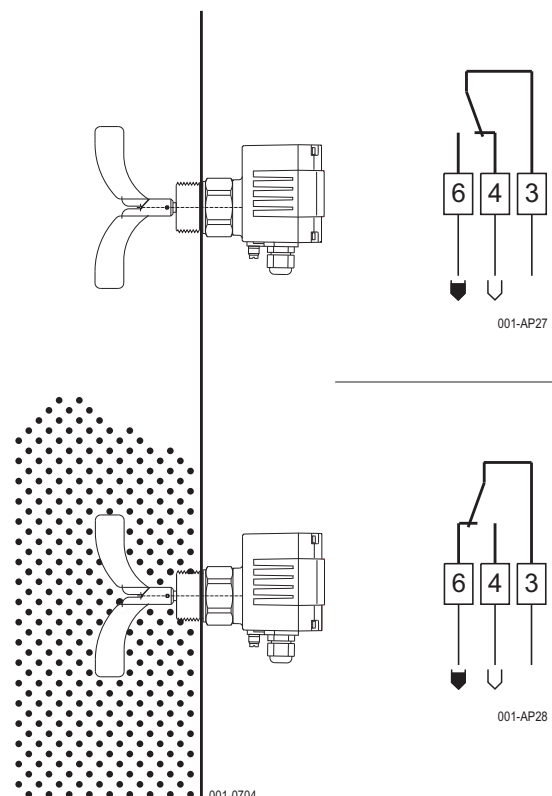
6.3 Circuit diagram AC



6.4 Circuit diagram DC

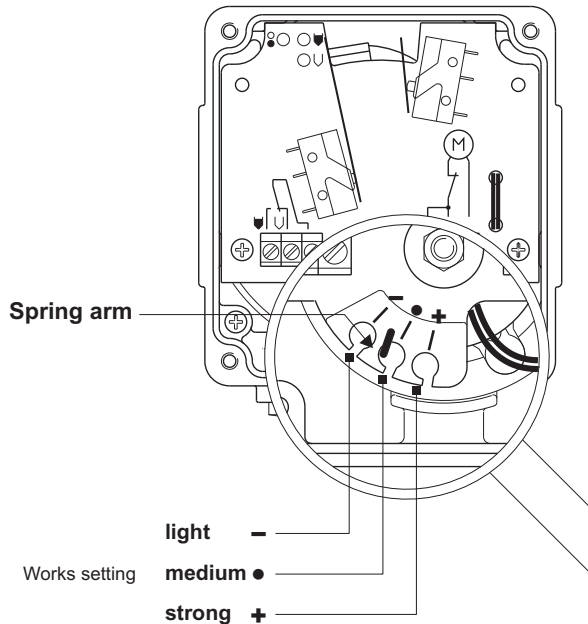


6.5 Switching logics



7. Setting of the sensitivity

As occasion demands, the sensitivity of the level indicator can be adjusted, referring to the characteristics of the bulk goods, by shifting the spring arm.



Three settings are possible:

1. **light** for very light bulk goods
2. **medium** suitable for almost all bulk goods
3. **strong** for sticking bulk goods

Fluidised bulk goods are lighter during filling and draining process. This has to be taken appropriately into consideration when setting the spring force and selecting the size of the measuring blade.

8. Utilization

8.1 Putting into operation

- Commissioning of the rotary blade level indicator only, if the installation will be done correctly and if it will be fixed tightly with the electrical contact.
- During operation, the housing and the cable entry must be closed tightly.

8.2 Normal operation

- Use the rotary blade level indicator in its intended application only.
- Operate the level indicator within the intended temperature ranges for the ambient and bulk goods temperature.
- Protect the inside of the control head from soiling.
- When the indicator is damaged, you have to take the device out of operation immediately.

8.3 Inexpert handling

- Ignoring of the safety instructions and the operating instructions.
- Utilization of the rotary blade level indicator in not intended use.
- Mounting of spare parts which are no original parts.
- Remove, adding or change of assembling parts, unless this has been described in the documents of the manufacturer.
- Violation against applicable law and standards.

9. Maintenance and servicing

9.1 Maintenance

- In case of intended use, the rotary blade level indicator needs no maintenance.
- Remove deposits and stickings from the blades or wrinkles with a brush or with a scraper. Don't use any force and don't damage the sealing of the shaft.
- Inspect the assemblings inside of the container about signs of wear and tear, in regular intervals. Define the intervals of the control, depending on the bulk goods characteristics.

9.2 Servicing

- Damaged parts, contacts or connections have to be repaired immediately or being replaced with parts of the same kind.
- Until the complete restoration of the proper function, the rotary blade level indicator must not be used any more.

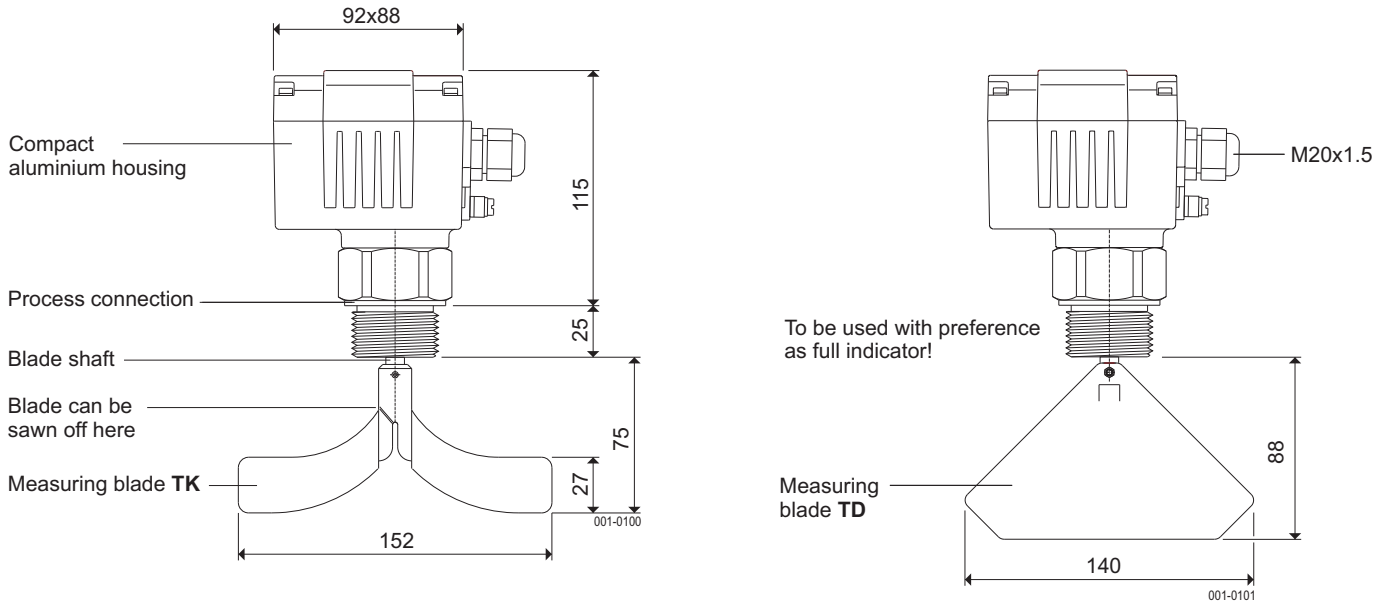
10. Storage

- While storage, the level indicator has to be protected from dust and humidity.
- Please ensure that the shaft of level indicators with jib extension will not be buckled or bended.

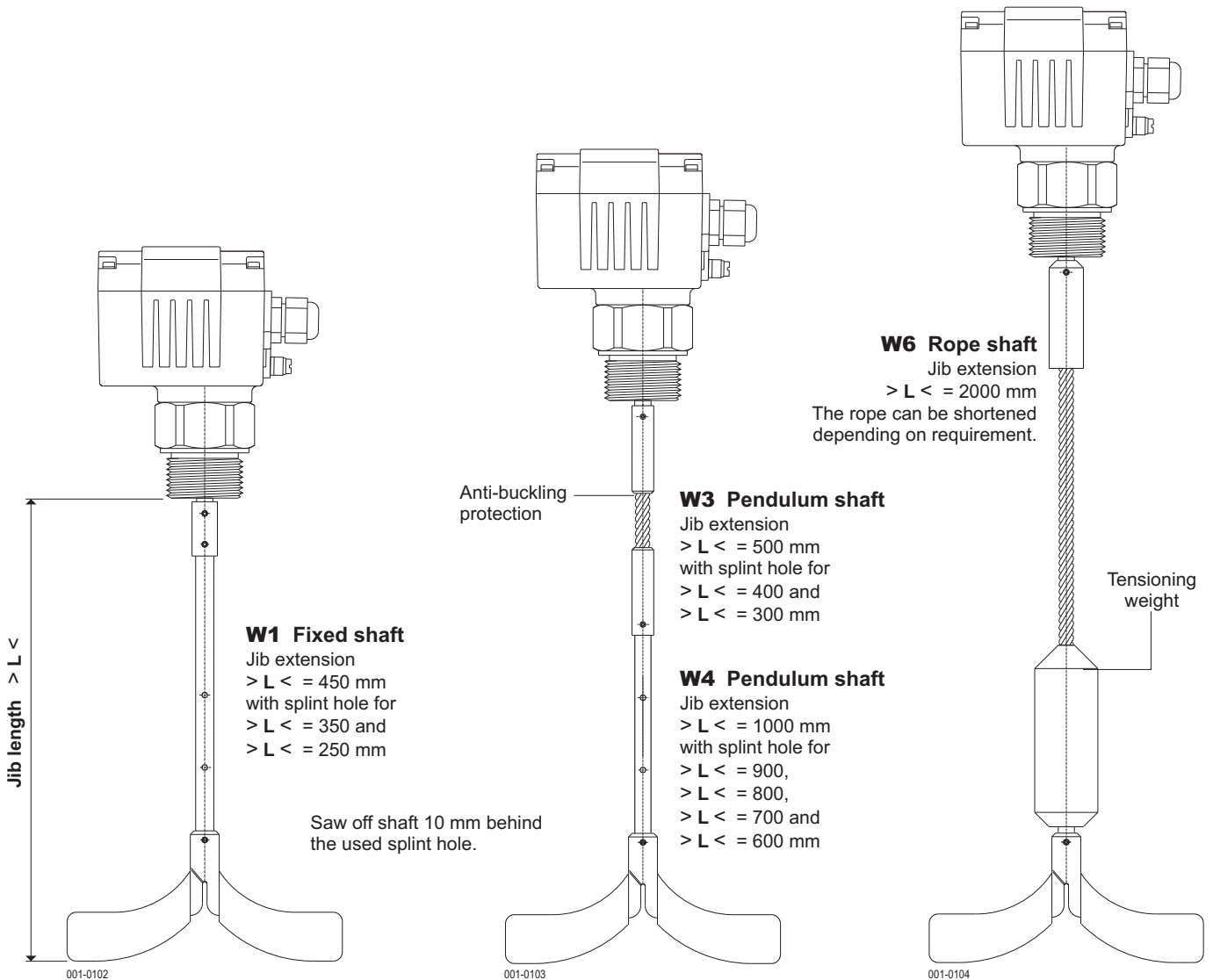
11. Disposal

- The level indicator can be recycled.
- The disposal applies to the valid environmental guidelines according to the location of the carrier and the local manufacturing conditions.

Dimensions

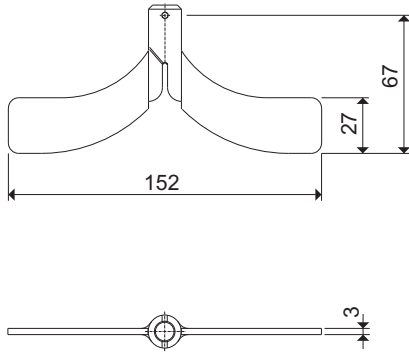


We recommend sawing off the plastic blade on one side, when using as empty indicator.

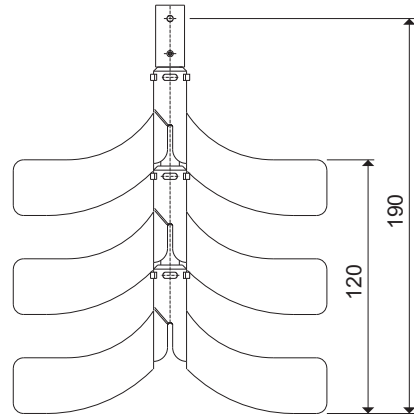


Measuring blades - dimensions

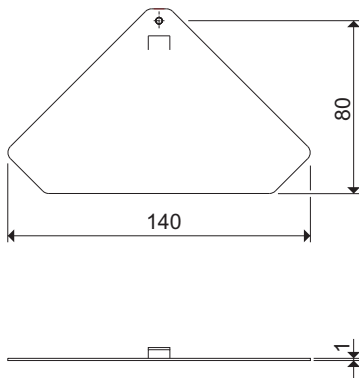
TK Blade



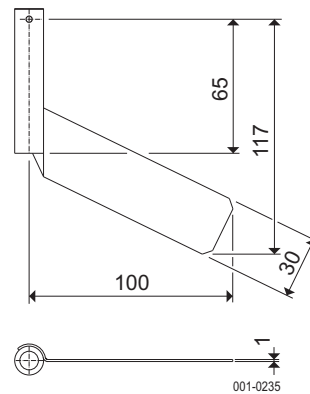
TK3 Blade



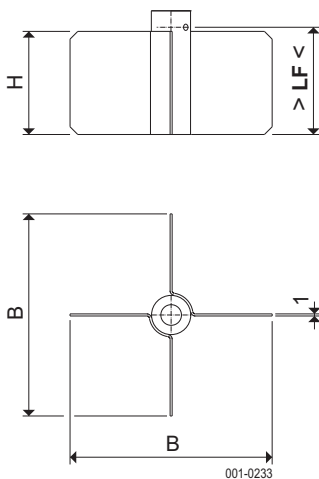
TD Blade



S1 Socket blade



X Blade



	B	H	LF
X1	98	50	52
X2	98	100	102
X3	180	100	102

Lowest bulk density, the measuring blades can be used for.

Bulk density ρ_{SS} in

Filling level up to 100mm above measuring blade	kg/l	t/m ³
Filling level until measuring blade is compl. covered	t/m ³	kg/l

Measuring blade	Blade size	Spring force setting	
		light	medium
S1 Socket blade	100x30	$\frac{0,25}{0,4}$	$\frac{0,35}{0,6}$
TK Blade TK150	150x27	$\frac{0,25}{0,4}$	$\frac{0,35}{0,6}$
TK3 3 Blades TK150	150x120	$\frac{0,15}{0,2}$	$\frac{0,2}{0,3}$
TD Blade TD140	140x85	$\frac{0,2}{0,4}$	$\frac{0,3}{0,5}$
X1 Blade X50	98x50	$\frac{0,15}{0,3}$	$\frac{0,25}{0,5}$
X2 Blade X100	98x100	$\frac{0,1}{0,2}$	$\frac{0,2}{0,45}$
X3 Blade X200	180x100	$\frac{0,025}{0,05}$	$\frac{0,075}{0,15}$

All items are approximate values!

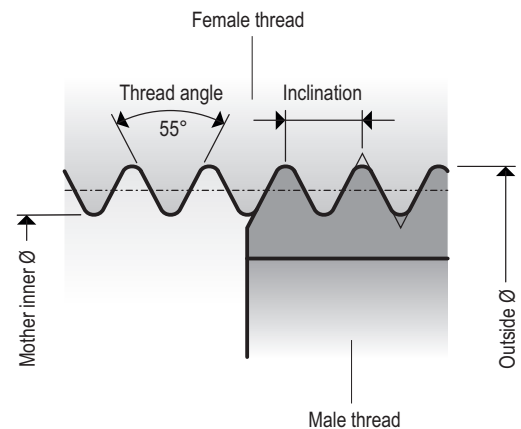
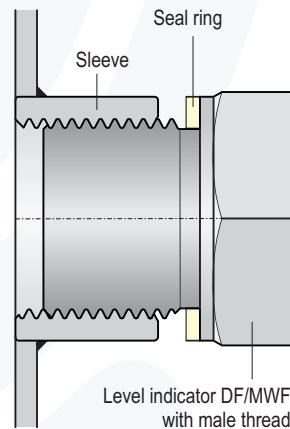
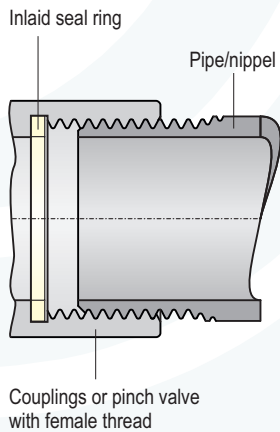
Planning information

Pipe thread DIN EN ISO 228-1

DIN ISO 228-1 (substitution for DIN 259)



Thread G	Outside Ø mm	Mother-inner Ø mm	Core hole Ø mm	Pitch per Inch	Inclination mm
G 1/8	9.73	8.85	8.80	28	0.907
G 1/4	13.16	11.89	11.80	19	1.337
G 3/8	16.66	15.39	15.25	19	1.337
G 1/2	20.95	19.17	19.00	14	1.814
G 3/4	26.44	24.66	24.50	14	1.814
G 1	33.25	30.93	30.75	11	2.309
G 1 1/4	41.91	39.59	39.25	11	2.309
G 1 1/2	47.80	45.48	45.25	11	2.309
G 2	59.61	57.29	57.00	11	2.309
G 2 1/2	75.18	72.86	72.60	11	2.309
G 3	87.88	85.56	85.30	11	2.309
G 3 1/2	100.33	98.01	97.70	11	2.309
G 4	113.03	110.71	110.40	11	2.309
G 4 1/2	125.73	123.41	123.10	11	2.309
G 5	138.43	136.11	135.70	11	2.309
G 6	163.83	161.51	161.20	11	2.309



All couplings and pinch valves supplied by MOLLET are manufactured for cylindric connections with **not** metallically sealed threads.

The same applies to the level indicators DF and MWF.

Tightness is achieved by seal rings.

Tightness can also be achieved e.g. with O-rings or sealant adhesive.

According to measurement charts the threads G acc. to DIN EN ISO 228-1 (substitution for DIN 259) have the same dimensions like the threads R acc. to DIN EN 10226-1 (substitution for DIN 2999). However, the tolerances acc. to DIN EN 10226-1 are for the inner diameter in the lower and for the outside diameter in the upper area.

It is therefore possible that cylindric male threads G acc. to DIN EN ISO 228-1 can not be screwed in parts (sleeves) with female threads R that are manufactured acc. to DIN EN 10226-1.

EU-Konformitätserklärung EU-Declaration of Conformity

Wir/We

MOLLET Füllstandtechnik GmbH

Industriepark RIO 103
D-74706 Osterburken
Tel. 06291 64400 Fax 06291 9846

erklären in alleiniger Verantwortung, dass das Produkt:
declares under our sole responsibility, that the product:

Drehflügel-Füllstand-Grenzscharter / Rotary blade limit switch
Drehflügel-Füllstandanzeiger / Rotary blade level indicator

Typ/Type **DF ...**

den folgenden Europäischen Richtlinien entspricht:
conforms with the following European directives:



EMV-Richtlinie **EMC directive** **2014/30/EU**

Niederspannungsrichtlinie **Low voltage directive** **2014/35/EU**

Angewandte harmonisierte Normen oder normative Dokumente:
Applied harmonized standards or normative documents

DIN EN 61326-1:2013 **DIN EN IEC 61000-6-2:2019**

DIN EN 61010-1:2020 **DIN EN 60529:2014**

Und die Geräte mit  - Kennzeichnung entsprechen zusätzlich der folgenden Europäischen Richtlinie:
And the devices with  - marking conform additional with the following European directive:

ATEX-Richtlinie **ATEX directive** **2014/34/EU**

Je nach Ausführungsvariante angewandte harmonisierte Normen oder normative Dokumente:
Depending on the design applied harmonized standards or normative documents:

DIN EN 1127-1:2019 **DIN EN ISO 80079-36:2016** **DIN EN ISO 80079-37:2016**
DIN EN IEC 60079-0:2019 **DIN EN 60079-1:2015** **DIN EN 60079-7:2016**
DIN EN 60079-31:2014

EU-Baumusterprüfbescheinigungsnummer:
EU-Type Examination Certificate:

IBExU04ATEX1001X
IBExU04ATEX1010X
IBExU04ATEX1033X
IBExU04ATEX1034

Ausgestellt von:.
Issued by:

IBExU Institut für Sicherheitstechnik GmbH, 09599 Freiberg (0637)

Qualitätssicherung:
Quality assurance:

TÜV NORD CERT GmbH, 30159 Hannover (0044)

Osterburken, den 03.03.2020,



Wolfgang Hageleit
Geschäftsführer / Managing director

Diese Erklärung darf nur unverändert weiterverbreitet werden.
This declaration is only allowed to hand out in unchanged form.