

Full, empty and demand indicator for horizontal mounting with angled jib

Signal contact

2 A / 250V AC potential-free

Type of protection

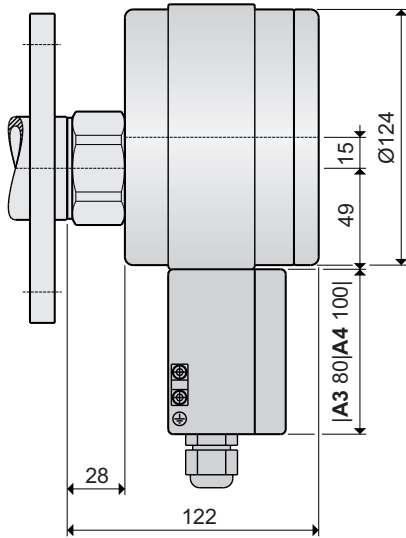
IP66 in accordance with DIN EN 60529

Maintenance

none

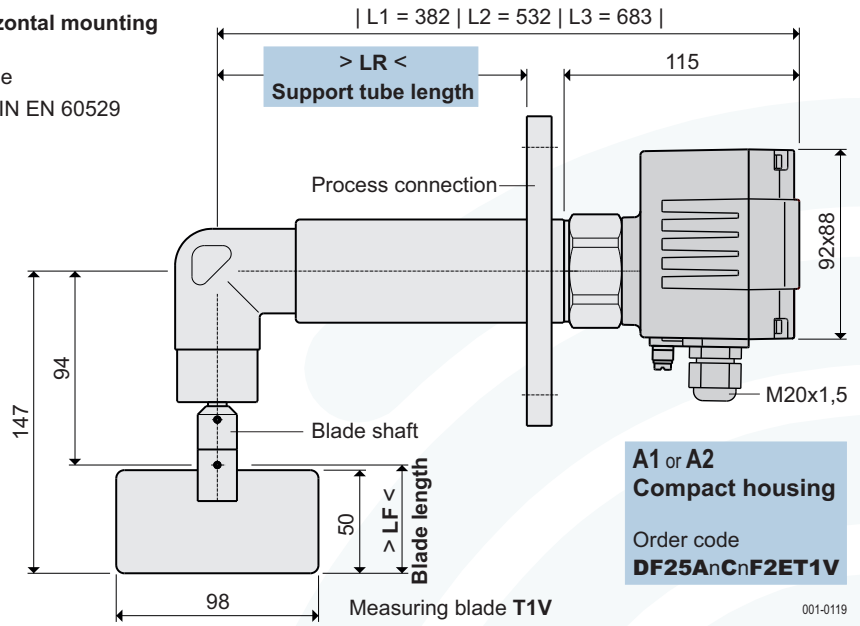
A3 or A4 Round housing

Order code
DF25AnCnF2E ...



001-0116

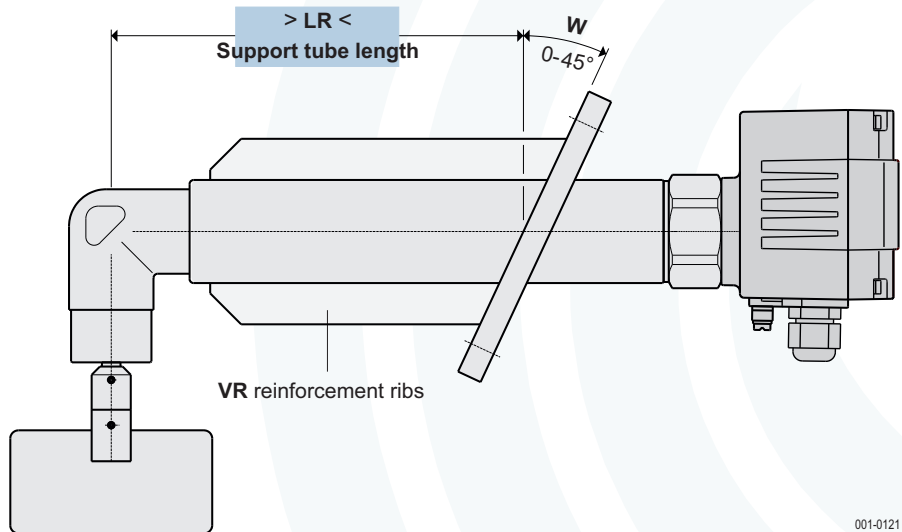
You will find further technical details under appliance information **DF-GI-..**



A1 or A2 Compact housing

Order code
DF25AnCnF2ET1V

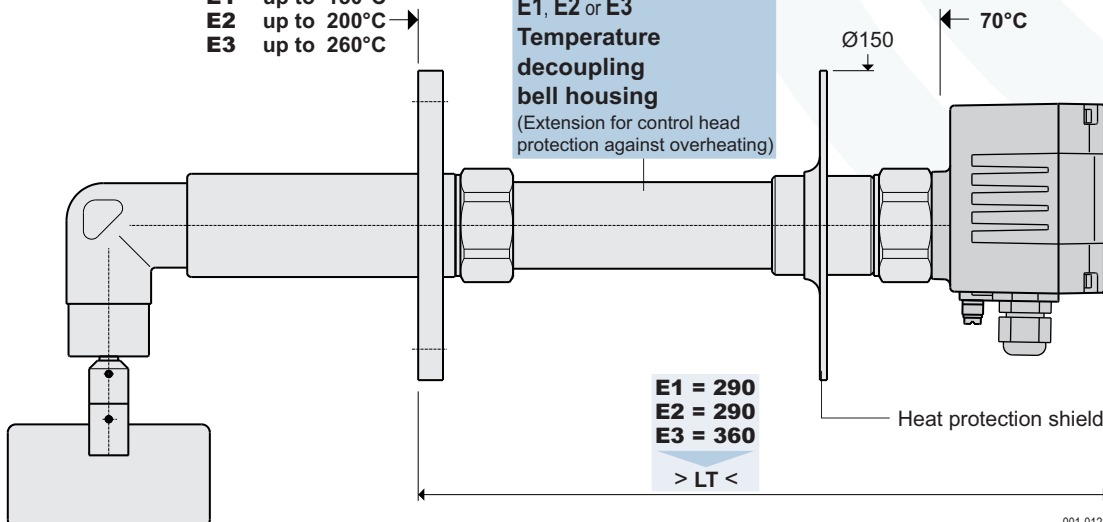
001-0119



001-0121

- E1** up to 150°C
- E2** up to 200°C
- E3** up to 260°C

**E1, E2 or E3
Temperature
decoupling
bell housing**
(Extension for control head
protection against overheating)



001-0122

