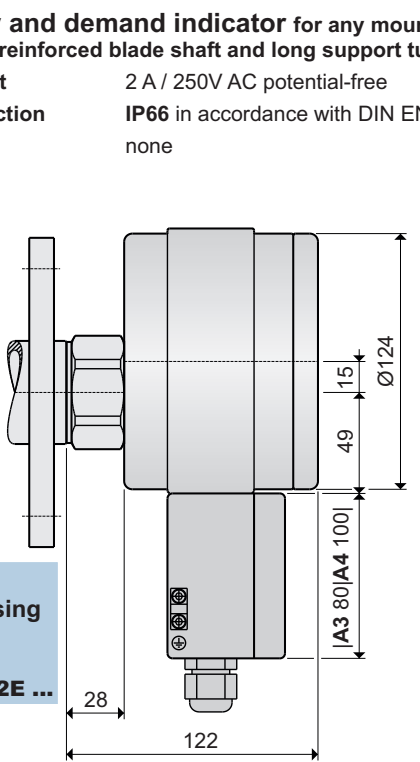


Full, empty and demand indicator for any mounting position with reinforced blade shaft and long support tube

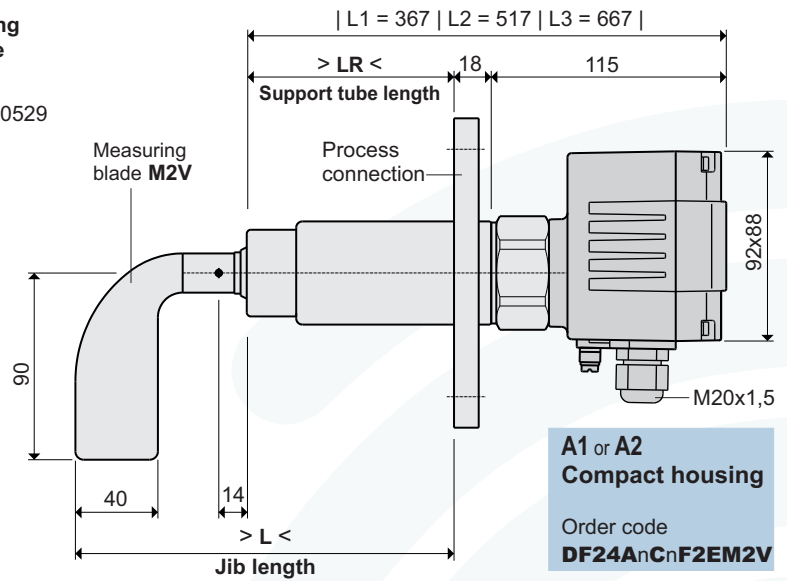
Signal contact 2 A / 250V AC potential-free
 Type of protection IP66 in accordance with DIN EN 60529
 Maintenance none



A3 or A4
Round housing

Order code
DF24AnCnF2E ...

001-0116

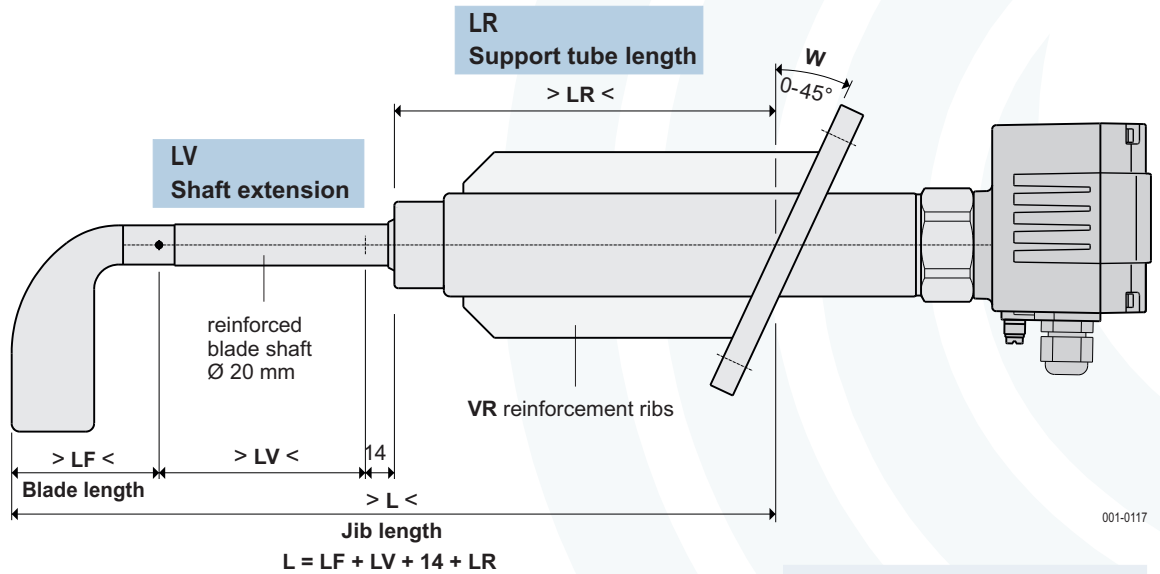


A1 or A2
Compact housing

Order code
DF24AnCnF2EM2V

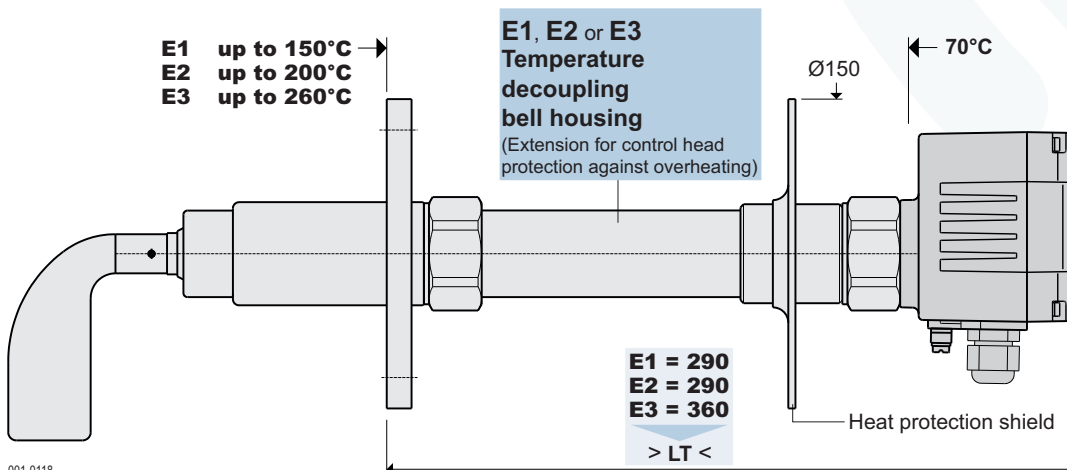
001-0115

$L = LF + 14 + LR$
 Standard shaft length = $LF + 14$



001-0117

You will find further technical details under appliance information **DF-GI-..**



001-0118

4 housing versions to choice

- Housing selection**
- A1 **Standard** Compact aluminium housing ... conform and ATEX Dust
 - A2 Stainless steel compact housing ... conform and ATEX Dust
 - A3 Aluminium round housing ... ATEX II 2G IIC
 - A4 Stainless steel round housing ... ATEX II 2G IIC

Choice of options with

- Certifications, certificates, approvals**
- B0 **Standard** = conform and IP66
 - B1 ATEX II 1/2D IIC **Dust**
 - B2 ATEX II 1D IIC **Dust** ^{D2)}
 - B3 ATEX II 1/3D IIB **Dust**
 - B9 Further approvals on request

- Supply voltage / Supply**
- C1 220...240V AC (50...60Hz)
 - C2 110...120V AC (50...60Hz)
 - C3 48V AC (50...60Hz)
 - C4 24V AC (50...60Hz)
 - C5 24V DC
 - C6 12V DC
 - C7 48V DC
 - C9 Special voltages on request

- Self-monitoring**
- D0 **Standard** = without monitoring
 - D1 Function monitoring
 - D2 Voltage monitoring

- Signal lamps¹⁾**
- H0 **Standard** = with function LEDs
 - H1 Collar for function LEDs
 - H2 Signal lamp, LED green
 - H8 Large signal lamp, LED green

- Bulk goods temperature/T_(process)**
- E0 **Standard** = -25°C...+80°C²⁾
 - E1 -40°C...+150°C only with R7
 - E2 -25°C...+200°C only with R7
 - E3 -25°C...+260°C only with R7
 - E7 Device heating 2.5 Watt

- Container pressure / p_(process)**
- P0 **Standard** = -0.5...5 bar³⁾
 - P1 -0.5 bar...10 bar
 - P2 -0.95 bar...25 bar⁴⁾
 - P6 -0.9 bar...10 bar
 - P7 -0.9 bar...10 bar⁵⁾

- Process connection**
- F2E Flange F100 150x150, 4xØ18, Lk170
 - F6E Flange DN100 PN 6
 - F7E Flange DN100 PN 16
 - F9 Other flanges on request
 - F.EZ Bearing in stainless steel

- Seal ring**
- R6 **Standard** = Seal ring in NBR, black
 - R7U1X Seal ring in PTFE, white FDA

- Measuring blade**
- M0 **without measuring blade**
 - S2V Socket blade 130x30 inclined
 - M1V Socket blade 90x28
 - M2V Socket blade 90x40
 - T1V Blade T50 98x50
 - T2V Blade T100 98x100
 - SG Socket blade 126x8
 - M9 other measuring blades on request

- Jib length**
- LR Support tube length, in stainless steel
- | | | | | |
|---|---|---|----|-----------------|
| 1 | 5 | 0 | mm | Standard |
| 2 | 0 | 0 | mm | |
| 2 | 5 | 0 | mm | |
| 3 | 0 | 0 | mm | |
| 4 | 0 | 0 | mm | |
| 5 | 0 | 0 | mm | |

- LV **Standard** shaft length (LV000 not applicable)
- Shaft extension, reinforced every 100 mm

0 0 0 enter required length up to max. 1000 mm in 100 mm steps

- W **Standard** angle W = 0° for flange/support tube
- Welding flange to jib
- 0 0 enter required angle up to max. 45°

- Reinforcement ribs**
- VR Welding reinforcement ribs

DF24 0 0 0

← Order code

Accessories

- SH Weather protection hood in PVC, RAL 7001
Certificated only for zone 22 and in non-hazardous areas
- KV1 2. Standard cable gland
- KV2 2. Ex cable gland

Delivery time appr. 8 Working Days

- D2) delivery only together with D2 or D1
- 1) H1 and H2 with B0 or B3, H8 only with B0 deliverable
- 2) max. bulk goods temperature at B2 = -20°C...+45°C
- 3) container pressure at B1, B2 and B3 = -0.08bar...+0.08bar (-80...+80mbar)
- 4) with area separating element DF-P2 (gas-tight and leakproof)
- 5) with pressure decoupling bell housing DF-P7 (pressure separating)
- 5) !!! usage for differences in pressure within ATEX areas !!!

€ Prices on request



B0, D0, H0, E0, P0 and M0 are **not needed** for order code

Stainless steel 1.4301 / 304, other materials on re
Stainless steel 1.4301 / 304, other materials on re
Stainless steel 1.4301 / 304, other materials on re

add as suffix to selected connection e.g. F2EZ

suitable for the majority of bulk goods
only for special applications

Measuring blade passes through tight hole of:

- F2, F6, F7
- F2, F6, F7
- F2, F6, F7
- F2, F6, F7
- F2, F6, F7
- F2, F6, F7
- F2, F6, F7

All larger dimensioned blades **can not** be inserted through the tight holes and must be mounted from the inside.