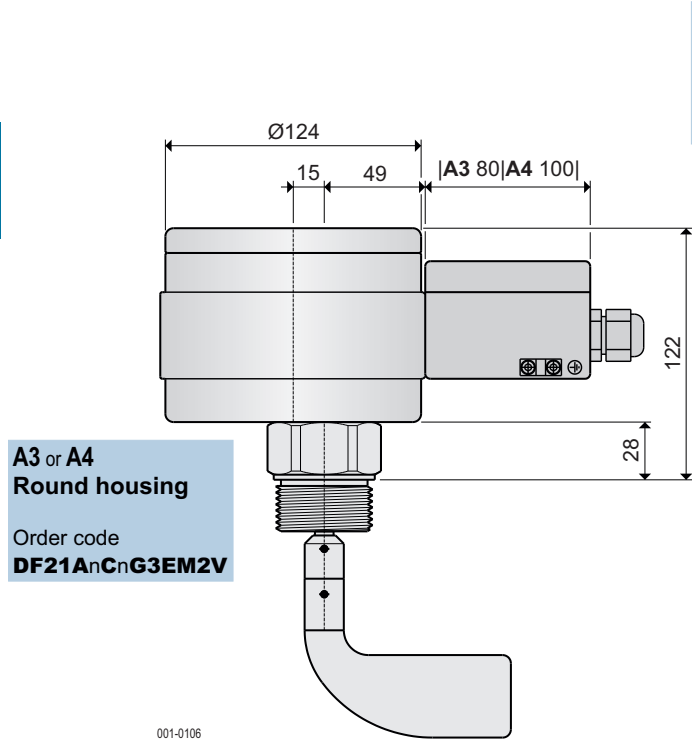


Full, empty and demand indicator for any mounting position, large range of applications

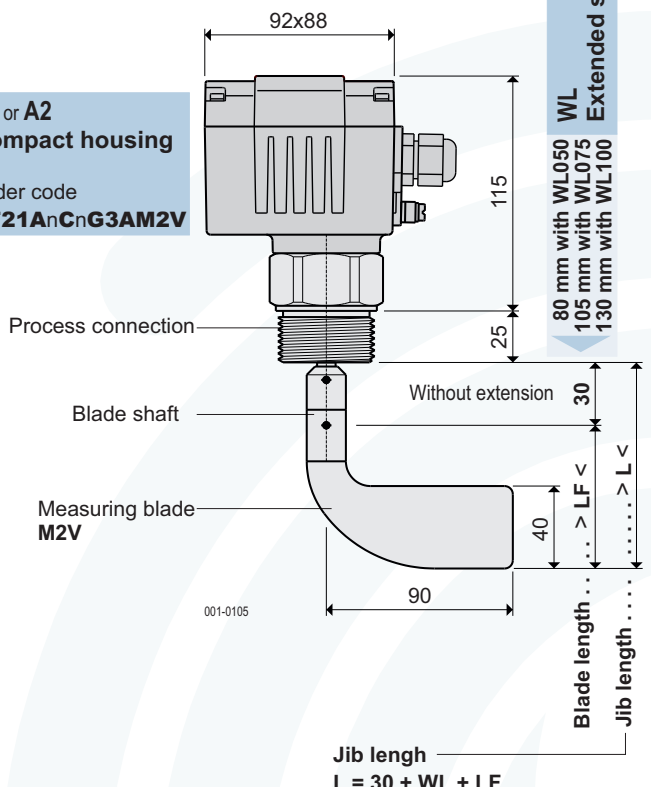
Signal contact 2 A / 250 V AC potential-free
 Type of protection IP66 in accordance with DIN EN 60529
 Maintenance none

4



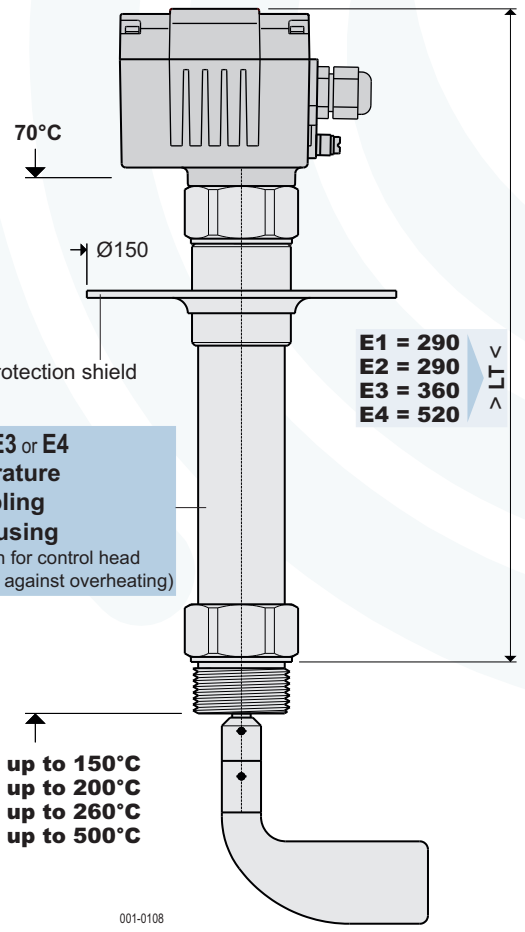
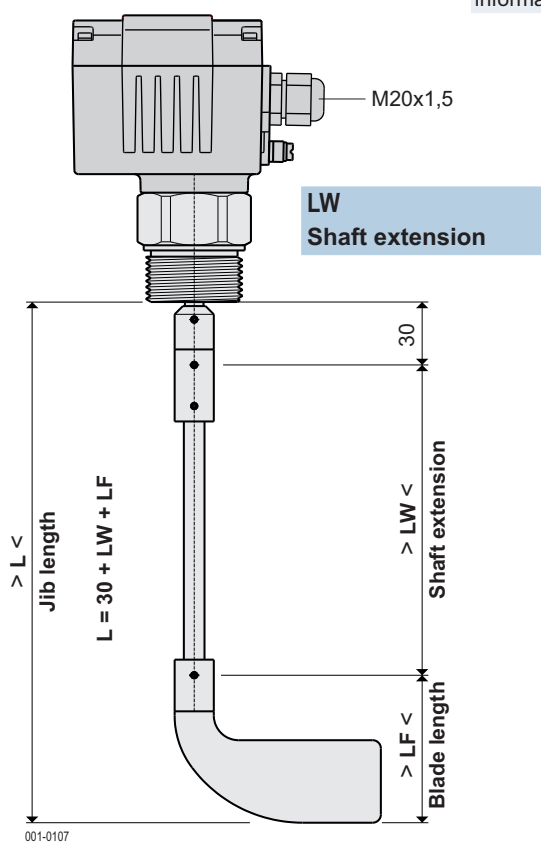
A1 or A2 Compact housing
 Order code **DF21AnCnG3AM2V**

Extended shaft
 WL
 80 mm with WL050
 105 mm with WL075
 130 mm with WL100



A3 or A4 Round housing
 Order code **DF21AnCnG3EM2V**

You will find further technical details under appliance information DF-GI-



4 housing versions to choice

- Housing selection**
- A1 Standard Compact aluminium housing ... **CE** conform and ATEX Dust
 - A2 Stainless steel compact housing ... **CE** conform and ATEX Dust
 - A3 Aluminium round housing ... **ATEX** II 2G IIC **CE** conform and ATEX Dust
 - A4 Stainless steel round housing ... **ATEX** II 2G IIC **CE** conform and ATEX Dust

Choice of options with

- Certifications, certificates, approvals**
- B0 Standard = **CE** conform and IP66
 - B1 ATEX II 1/2D IIC Dust
 - B2 ATEX II 1D IIC Dust ^{D2)}
 - B3 ATEX II 1/3D IIB Dust
 - B9 Further approvals ... on request

- Supply voltage / Supply**
- C1 220...240V AC (50...60Hz)
 - C2 110...120V AC (50...60Hz)
 - C3 48V AC (50...60Hz)
 - C4 24V AC (50...60Hz)
 - C5 24V DC
 - C6 12V DC
 - C7 48V DC
 - C9 Special voltages ... on request

- Self-monitoring**
- D0 Standard = without monitoring
 - D1 Function monitoring
 - D2 Voltage monitoring

- Signal lamps¹⁾**
- H0 Standard = with function LEDs
 - H1 Collar for function LEDs
 - H2 Signal lamp, LED green
 - H8 Large signal lamp, LED green

- Bulk goods temperature / T_{process}**
- E0 Standard = -25°C...+80°C ²⁾
 - E1 -40°C...+150°C only with R1
 - E2 -25°C...+200°C only with R5
 - E3 -25°C...+260°C only with R5
 - E4 -25°C...+500°C only with R8
 - E7 Device heating 2.5 Watt
 - E9 ...+1000°C ¹⁾ ... on request

- Container pressure / p_{process}**
- P0 Standard = -0.5...5 bar ³⁾
 - P1 -0.5 bar...10 bar
 - P2 -0.95 bar...25 bar ⁴⁾
 - P6 -0.9 bar...10 bar
 - P7 -0.9 bar...10 bar ⁵⁾

- Process connection**
- G1 Thread G1 DIN/ISO 228
 - G2 Thread G1¼ DIN/ISO 228
 - G3 Thread G1½ DIN/ISO 228
 - G5 Thread M30x1.5
 - G6 Thread M32x1.5
 - G9 Other threads ... on request
 - F1 Flange F70 Ø110, 4xØ9/Ø90
 - F2 Flange F100 150x150, 4xØ18/Ø170
 - F5 Flange DN32 PN 10
 - F6 Flange DN100 PN 6

- Material of process connection**
- A Aluminium
 - E Stainless steel 1.4301 / 304
 - X Other materials ... on request

- Measuring blade**
- M0 without measuring blade
 - S2 Socket blade 130x30 inclined
 - M1 Socket blade 90x28
 - M2 Socket blade 90x40
 - T1 Blade T50 98x50
 - T2 Blade T100 98x100
 - T8 Rubber blade¹⁾ 250x100
 - X1 Blade X50 98x50
 - X2 Blade X100 98x100
 - X3 Blade X200 180x100
 - K1 Hinged blade T230 200x30
 - M9 Other measuring blades ... on request

- Blade reinforcement**
- V without reinforcement
 - V with reinforcement

- Jib extension**
- Standard = without extension (LW000 or WL000 not applicable)
 - WL Extended shaft **WL050, WL075 or WL100**
 - LW Shaft extension
 - 0 0 0 enter required length in mm, last digit always 0

Accessories

SH	Weather protection hood in PVC, RAL 7001 ... Certificated only for zone 22 and in non-hazardous areas		
SM1	Hexagonal nut G1	X	X
SM2	Hexagonal nut G1¼	X	X
SM3	Hexagonal nut G1½	X	X
SM5	Hexagonal nut M30x1,5	X	X
SM6	Hexagonal nut M32x1,5	X	X

- Material of nuts**
- A Aluminium
 - E Stainless steel 1.4301 / 304

- KV1 2. Standard cable gland
- KV2 2. Ex cable gland

Delivery from Stock

ordered until 12⁰⁰ - dispatched at 16⁰⁰

- D2) delivery only together with D2 or D1
- 1) H1 and H2 with B0 or B3, H8 only with B0 deliverable
- 2) max. bulk goods temperature at B2 = -20°C...+45°C
- 3) container pressure at B1, B2 and B3 = -0.08bar...+0.08bar (-80...+80mbar)
- 4) with area separating element DF-P2 (gas-tight and leakproof)
- 5) with pressure decoupling bell housing DF-P7 (pressure separating)
- 5) !!! usage for differences in pressure within ATEX areas !!!

€ Prices on request



B0, D0, H0, E0, P0, R0 and M0 are **not needed** for order code

- R0 Standard with NBR seal ring, black ... suitable for the majority of bulk goods
- Options only for special applications:
- R1 Seal ring in PTFE/VITON
- R2 Seal ring in NBR, white FDA
- R5 Seal ring in PTFE, white FDA
- R8 Seal ring in Graphit only with E4
- Rn add as suffix to selected connection e.g. G2ER2

- Measuring blade passes through tight hole of:**
- G2, G3, G4 ... and all flanges
 - G1
 - G3, G4 ... and all flanges
 - F2, F6, F7
 - F2, F6, F7
 - F2, F6, F7
 - F2, F6, F7
 - G2, G3, G4 ... and all flanges

All larger dimensioned blades **can not** be inserted through the tight holes and must be mounted from the inside.

DF21

Order code